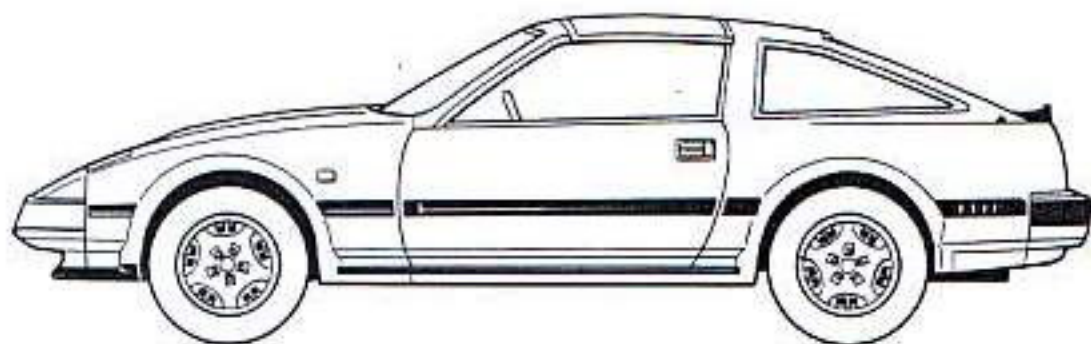


# NISSAN 300ZX

MODEL Z31 SERIES  
OWNER'S MANUAL



# Dear NISSAN Owners



DD344

Thank you for choosing a NISSAN. We are sure you will be happy with your choice. This manual has been prepared to help you to understand the operation and maintenance of your vehicle. Please read it carefully and follow the recommendations. If any question should arise concerning equipment fitted or its operation, please consult your NISSAN/DATSUN dealer. The dealer has the trained personnel, the specialized equipment and the interest to assist you with all your service requirements.

## OPERATION IN ANOTHER COUNTRY

Avoid taking your vehicle to areas where gasoline of the appropriate octane is not available.

When planning to travel in another country you should ascertain if the octane rating of the gasoline available is suitable for your vehicle's engine. Using gasoline with too low an octane rating may cause engine damage to which the warranty will not apply.

The laws and regulations for vehicle emission control and safety standards vary according to the country. Accordingly, vehicle specifications generally differ for each country. If you take your vehicle to another country and register it there, local authorities may require it to be modified in order to comply with local laws and regulations and pass an inspection beforehand. In some countries, the procedures concerning transportation and registration are complex. Meeting the requirements can also involve technical difficulties and may be expensive.

**If you take your vehicle to another country, any modifications required before the vehicle can be registered are the responsibility of the owner. Nissan will not be liable for any costs and inconvenience involved.**

ERICA

# Contents

Because of the variety of options, components and features offered by NISSAN and your NISSAN/DATSUN dealer, the equipment described in this manual may or may not be identified as standard or optional and may or may not be applicable to your particular vehicle.

All information, specifications and illustrations in this manual are those in effect at the time of printing. NISSAN reserves the right to change specifications or design at any time without notice.



**Before Driving Your NISSAN..... 1-1**



**Instruments And Controls..... 2-1**



**Starting And Driving ..... 3-1**



**In Case Of Emergency ..... 4-1**



**Maintenance Schedule ..... 5-1**



**Do-It-Yourself ..... 6-1**



**Specifications ..... 7-1**



**Index ..... 8-1**



**Service Station Information ..... 9-1**



# Before Driving Your NISSAN

## BREAK-IN

Careful attention to the following precautions during the breaking-in period of the first 1,600 km (1,000 miles) will greatly enhance the performance, economy and long life of your new vehicle.

- Do not drive at high speeds until the engine has sufficiently warmed up.
- Do not drive over 130 km/h (80 MPH).
- Do not drive continuously at the same speed.
- Avoid engine racing, abrupt starting and needless heavy braking.
- Avoid operating at full throttle.

## SAFETY CHECKS

### BEFORE ENTERING THE VEHICLE

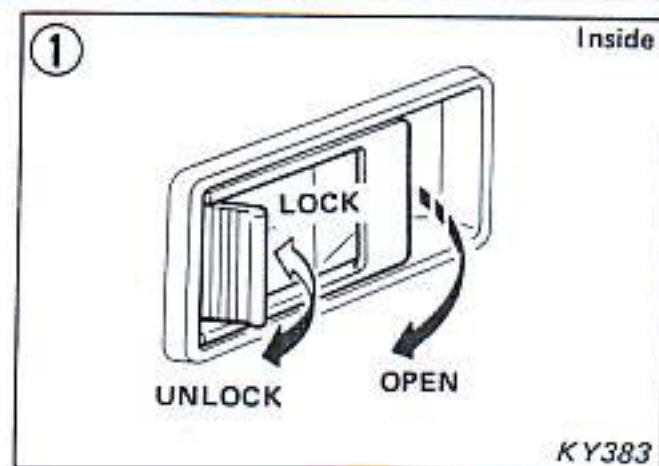
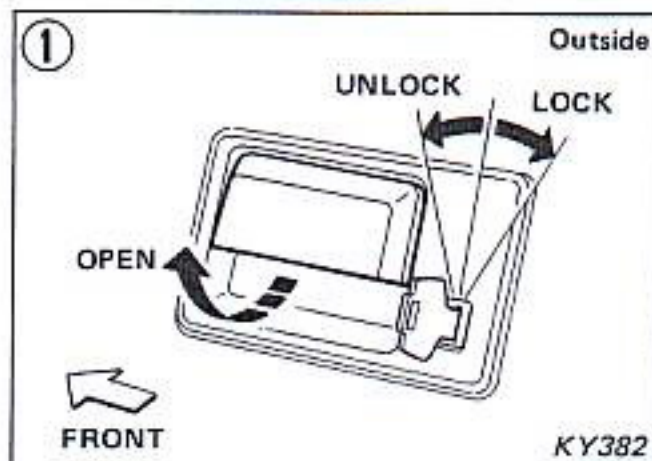
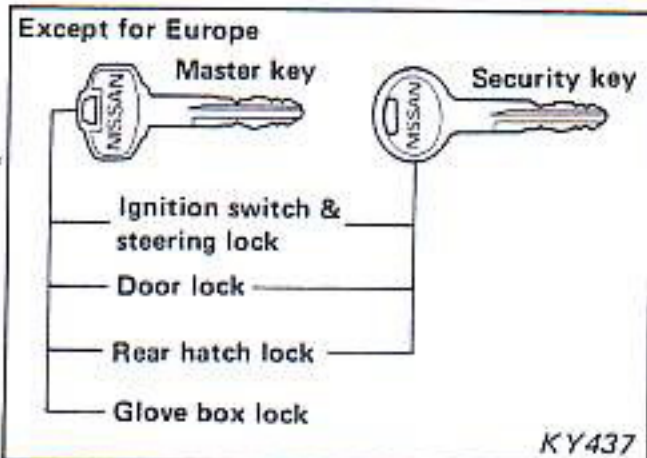
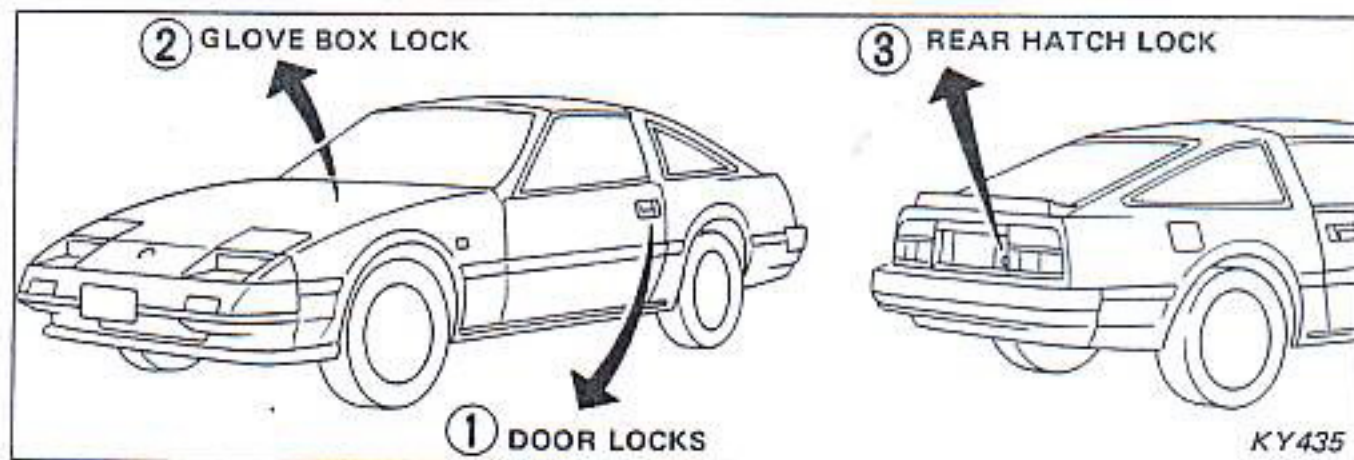
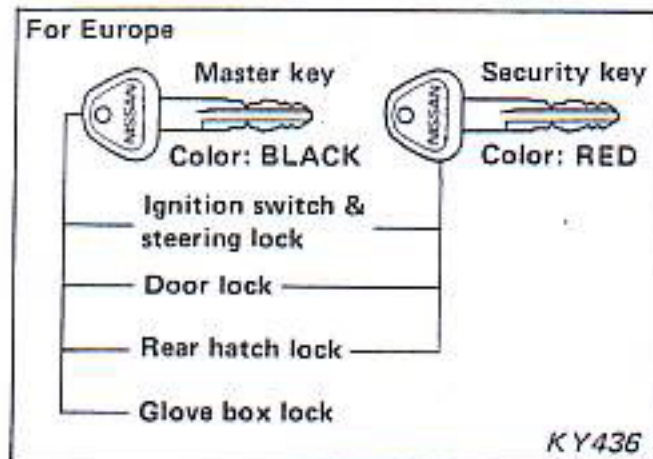
- Check that windows, mirrors and light lenses are clean.
- Visually inspect the condition of the tires. Also check tire pressure.
- Check that the area around the vehicle is clear.
- Make sure that the engine hood is closed securely.

### AFTER ENTERING THE VEHICLE

- Position seats and adjust head restraints.
- Adjust tilt-away steering wheel.
- Adjust inside and outside mirrors.
- Fasten seat belts and ask all passengers to do likewise.
- Check the operation of lights, switches and horn.
- Check the operation of warning lights when key is turned to "ON" position.

~~~~~  
Fluid levels such as engine oil, engine coolant, brake and clutch fluid and windshield washer fluid should be checked frequently, or at least whenever you refuel. Further details are described in the "Do-it-yourself" section.  
~~~~~

## KEY AND LOCKS



### KEY

Keep a record of the key numbers so that your NISSAN/DATSUN dealer will be able to replace a lost key.

Remove the key from the switch and carry it with you when leaving your vehicle unattended.

### DOOR LOCK

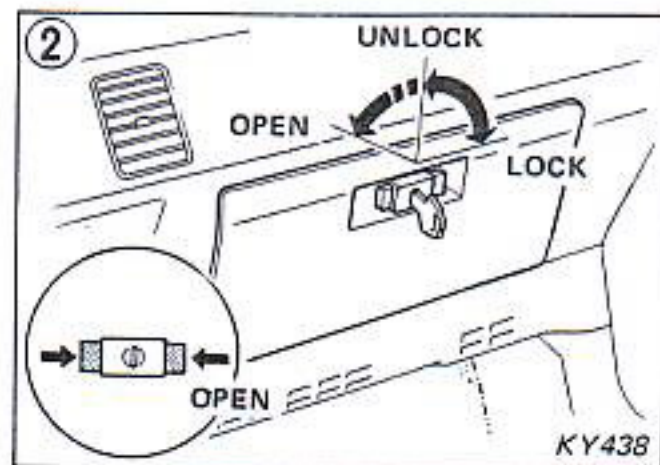
The driver's door cannot be locked from the outside without a key.

This is to prevent the key from accidentally being locked inside the vehicle.

The passenger's door can be locked from the outside by first setting the lock knob in

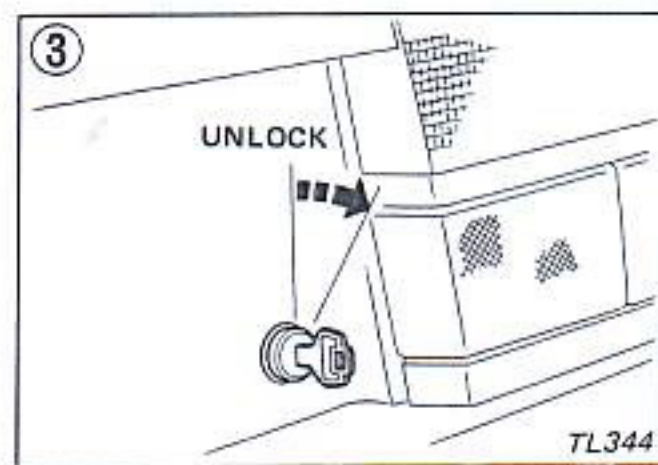
the "LOCK" position and then closing the door.

- Be sure that the key has not been left inside the vehicle.
- Do not operate the door handle while driving the vehicle.



### GLOVE BOX

The glove box can be opened by pushing on the knobs located on the right and left sides of the glove box lock. To lock, insert the key, turn 90 degrees to the right and remove it.



### REAR HATCH LOCK

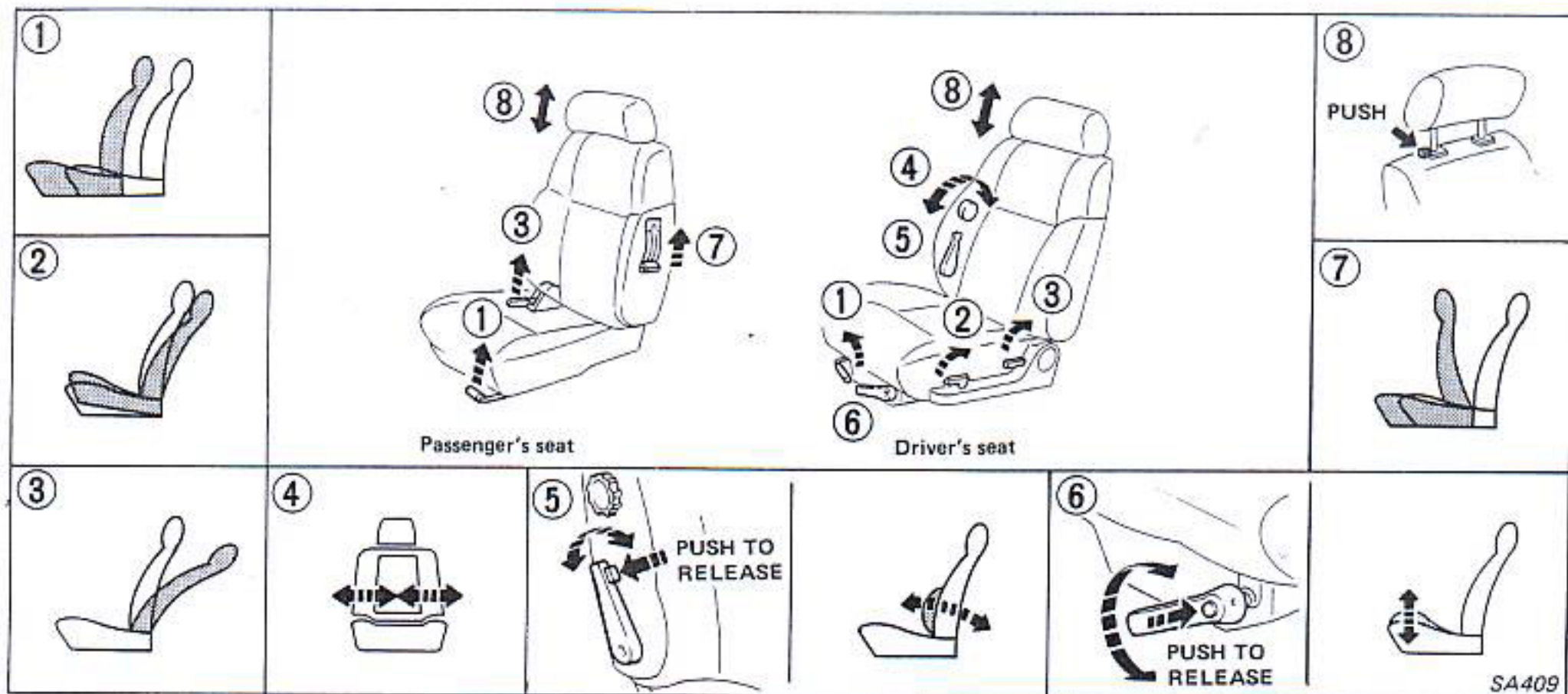
To open the rear hatch, insert the key and turn it clockwise. To lock the rear hatch, push it down securely. No further key operation is required.

### POWER DOOR LOCK (Option)

The passenger door can be locked (unlocked) by locking (unlocking) the door on the driver's side.

The passenger door can also be locked (unlocked) individually with the door lock knob.

## SEATS



Do not adjust the driver's seat while driving.

### ① FORE-and-AFT ADJUSTMENT

Lock the seat into position securely.

### ② LIFTING SEAT (Driver's seat)

### ③ RECLINING SEAT

Never ride in a moving vehicle with the seat in a reclining position. Seat belts are effective only when the wearer is in an upright position.

### ④ SIDE SUPPORT

Adjust the driver's seatback side support to the desired position by turning the dial on the side of the seatback cushion.

### ⑤ LUMBAR SUPPORT (Driver's seat)

To soften or harden the seatback, push the bottom of the lever.

### ⑥ THIGH SUPPORT

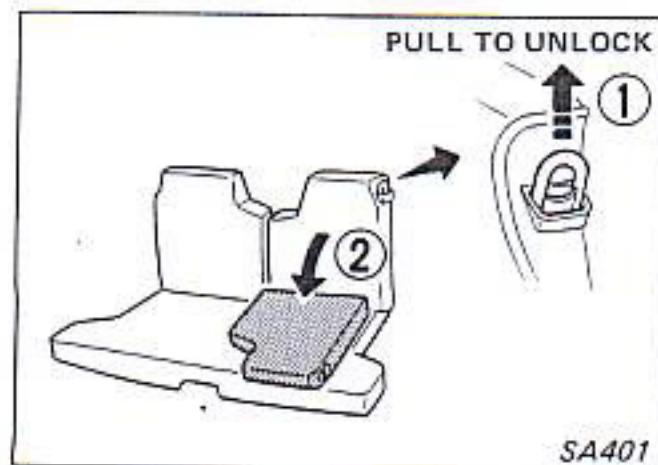
Adjust the driver's seat cushion height to the desired position by moving the lever located at the lower front of the seat.

By repeatedly moving the lever up and down, the air bag in the seat cushion is filled with air, raising the seat cushion. Pushing the button on the lever causes air to escape from the air bag and the seat cushion to lower.

### ⑦ WALK-IN SEAT (Passenger's seat)

### ⑧ HEAD RESTRAINTS

The head restraints can be adjusted in height.



### FOLDING REAR SEATS (2 + 2 model)

The seat can be folded in the key number sequence as indicated in the figure.

## SEAT BELTS

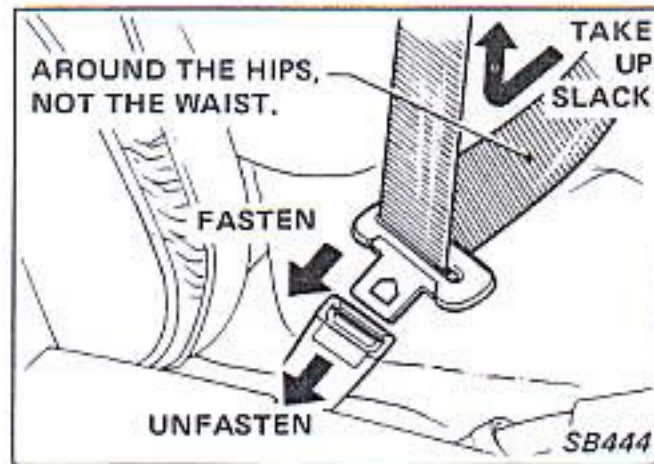
The correct wearing of the seat belt on all journeys can reduce the possibility and/or severity of injury in the event of an accident.

Some countries may specify that seat belts be worn at all times when the vehicle is in forward motion. Be sure to observe the following conditions:

- Always pass the shoulder belt over your shoulder and across your chest. NEVER run the belt under your arm.
- Position the lap belt as low as possible around the hips, not around the waist.
- NEVER wear the belt inside out or twisted.
- Where the buckle position is adjustable, locate the buckle just below the hip.
- NEVER allow more than one person to use the seat belt at the same time. A belt must not be put around a child on a passenger's lap.
- The belt is intended for adult users only and should not be used by a child weighing less than 23 kg (50 lb).
- Belt adjustment is automatic, however, the belts should fit comfortably when in use with no excessive slack and the belt routing must not be adversely affected by any fitment, e.g. seat ad-



juster or convenience mechanism which assists rear seat access or baggage storage.



## FRONT SEAT BELT

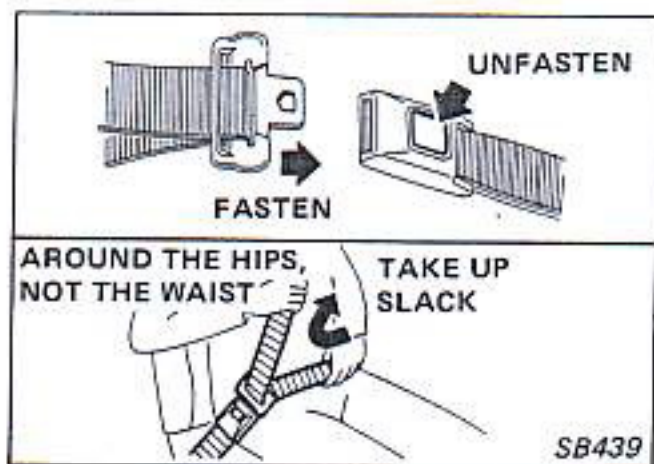
### 3-point type with retractor

1. Adjust the seat to your normal driving position.
2. The belt tongue is installed to the belt as illustrated. The upper part of the belt serves as a shoulder belt and the lower part as a lap belt.
3. Slowly pull out the belt and insert the tongue into the buckle until you hear a positive "click" signifying the belt is safely locked.
4. To unfasten the belt press the red release button on the buckle and the belt will retract and stow automatically.
5. No adjustment is required as the design of the system always keeps the webbing comfortably in position across the body

and the buckle correctly positioned when the belt is fastened. However, always, ensure that the webbing is never allowed to chafe or rub against sharp objects and when traveling do not recline the seat back so that the shoulder belt no longer contacts the chest.

The belt reel will lock by two separate methods:

1. When the webbing is pulled quickly from the reel. Under normal circumstances the belt retractor permits the belt to move freely with the occupant.
2. By rapid deceleration. The free movement of the webbing should stop under hard braking.



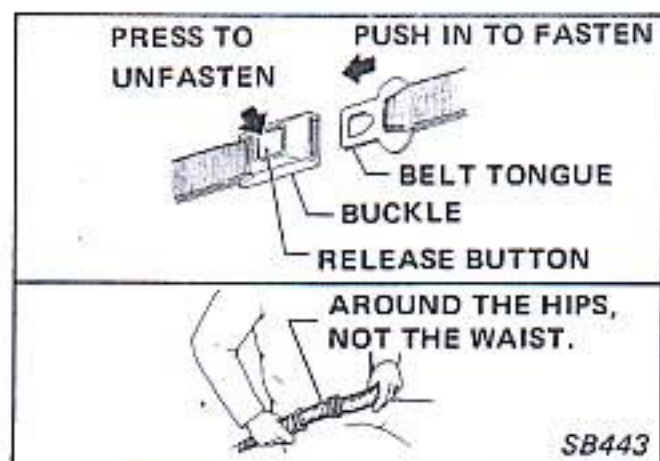
## REAR SEAT BELTS

### 3-point type with emergency locking retractor

1. Slowly pull out the lap-shoulder belt and insert the tongue into the buckle until you hear a snapping sound.

If the retractor locks while pulling out the belt, let the belt rewind into the retractor a little. It can then be pulled out again.

2. To unfasten the belt, press the button on the buckle.



### 2-point type with auto-locking retractor

1. Slowly and in one motion, pull out the outer lap belt and insert the belt tongue into the buckle until you hear a snapping sound.

If pulling motion is interrupted, the retractor will lock. If this happens, let the belt rewind into the retractor all the way and then the belt can be pulled out.

2. To unfasten the belt, press the button on the buckle.

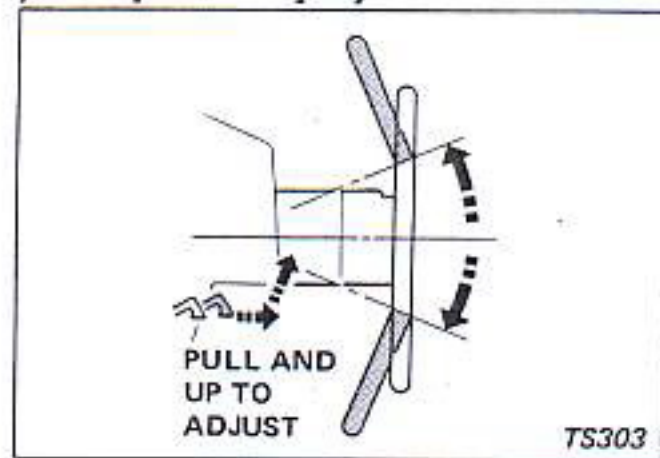
## CLEANING

- The seat belt webbing can be cleaned by an occasional wipe with a sponge of warm, soapy water. Wipe with a cloth and dry the webbing in the shade. NEVER use bleach or dye as they may affect the efficiency of the webbing.
- Do not allow the belts to retract until they are completely dry.

## IMPORTANT

- Belts that have been cut, frayed, damaged or used in vehicles involved in severe accidents must be replaced.
- The belt should not be altered or modified and disassembly must not be attempted. Any problem regarding the operation and use should be reported to your authorized service agent.

## TILTING STEERING WHEEL (Except Europe)



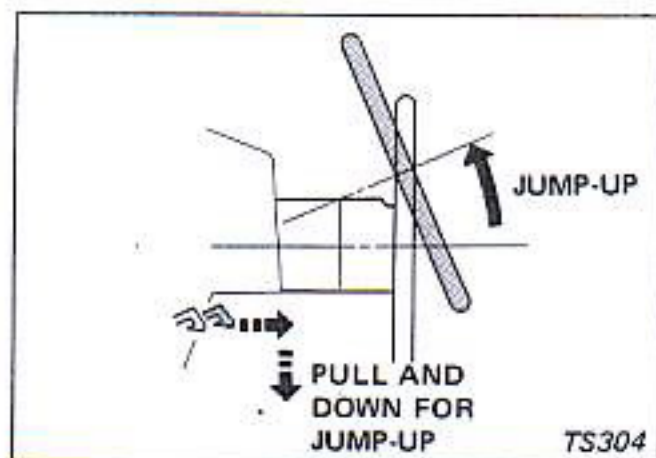
### TILT OPERATION

The steering wheel can be tilted to obtain the best driving position.

To tilt the wheel, first unlock the steering column by pulling the lock lever out and up.

Then, while keeping the lever up, move the steering wheel up or down to the desired position.

To lock the wheel, release the lever and the lever will return to the original position.



### JUMP-UP OPERATION

The steering column can be jumped-up to enable the driver easy entry into the vehicle.

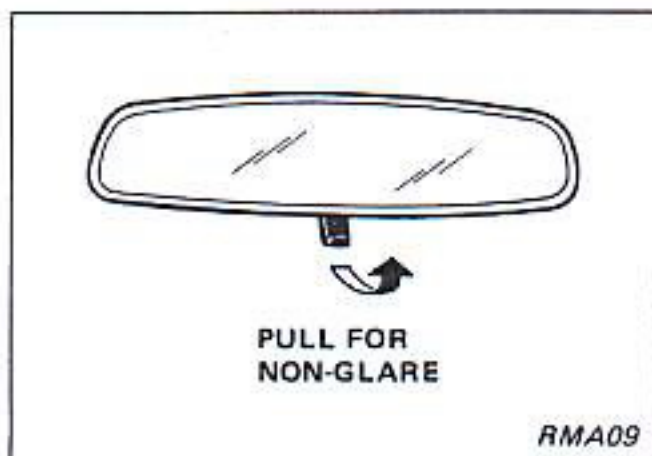
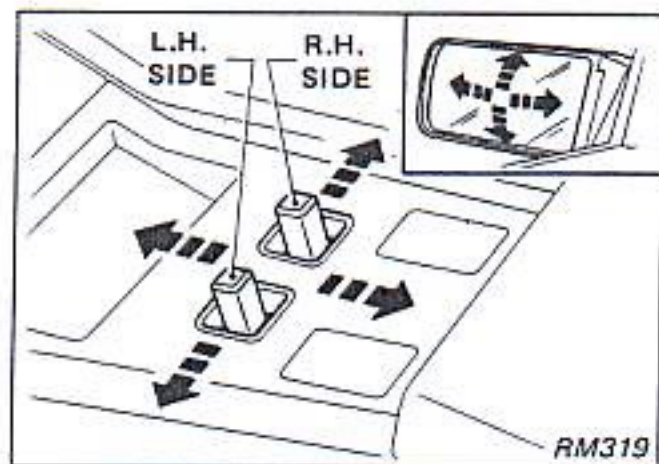
To jump-up the wheel, unlock the steering column by pulling the lever out and down. The steering wheel will then jump-up automatically. After sitting in the seat, bring the wheel down.

The wheel will lock in the original position.

### CAUTION:

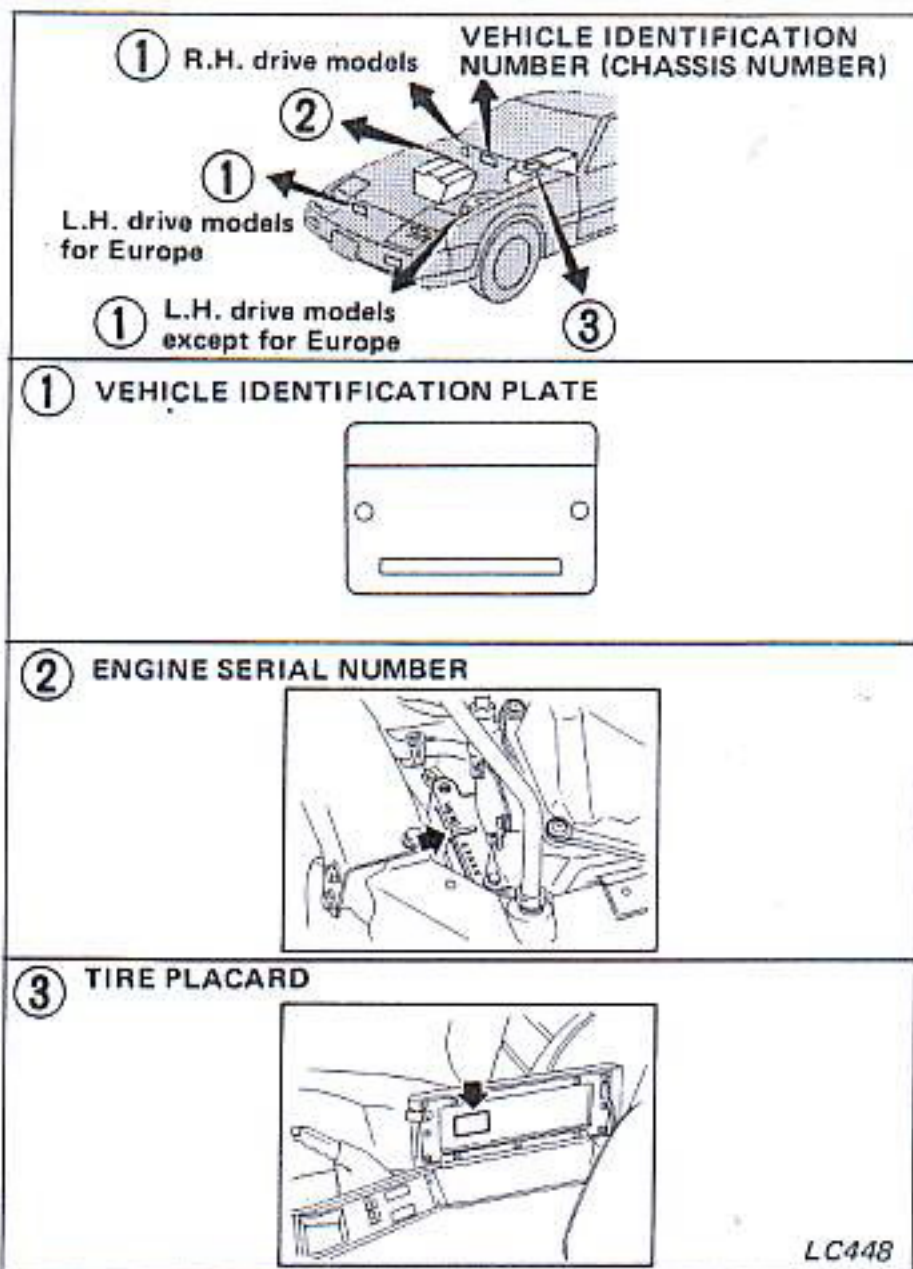
Do not adjust the steering wheel while driving.

## REARVIEW MIRRORS



Adjust the outside and inside mirrors before driving. The rear view must be unimpaired.

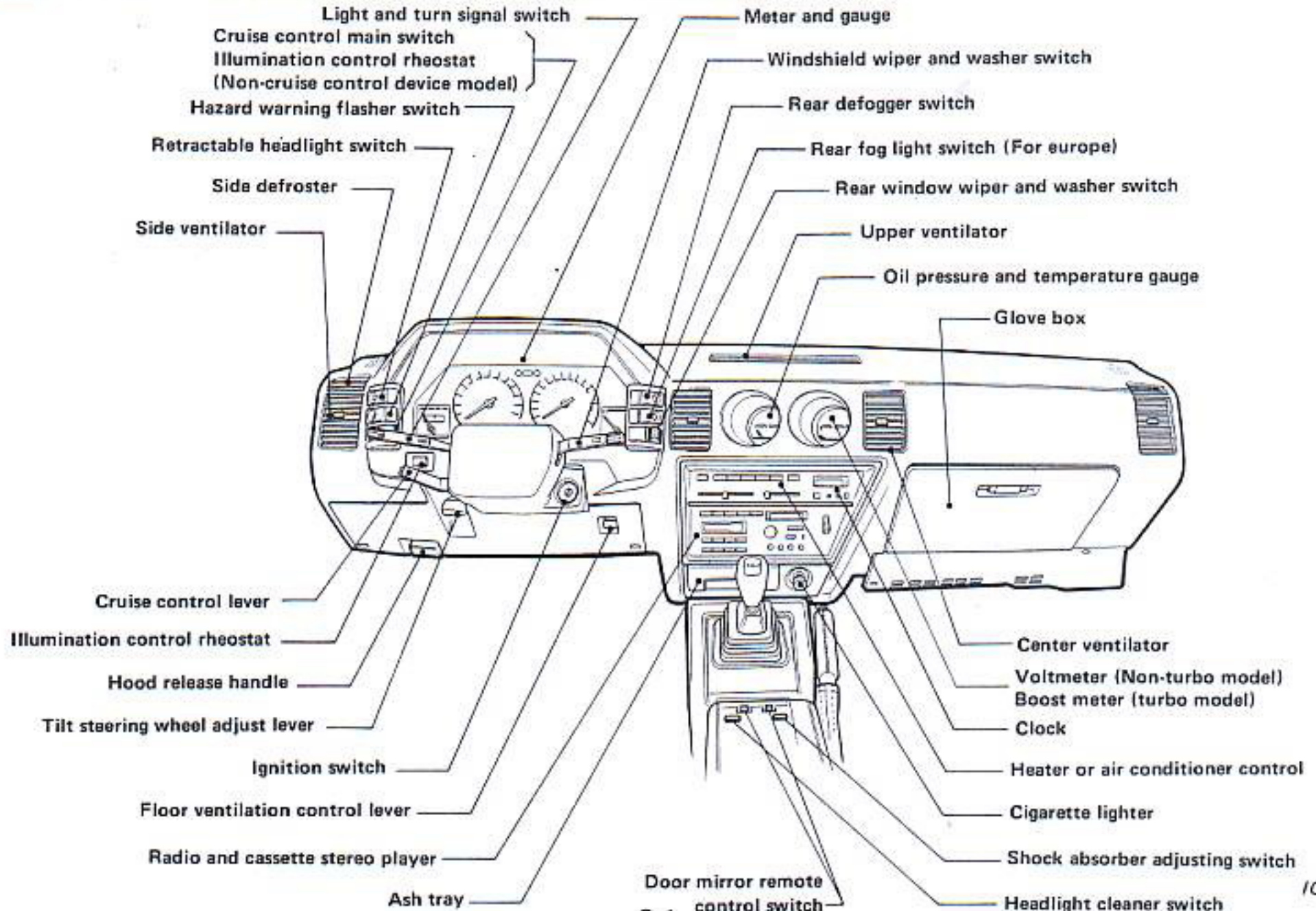
## VEHICLE IDENTIFICATION

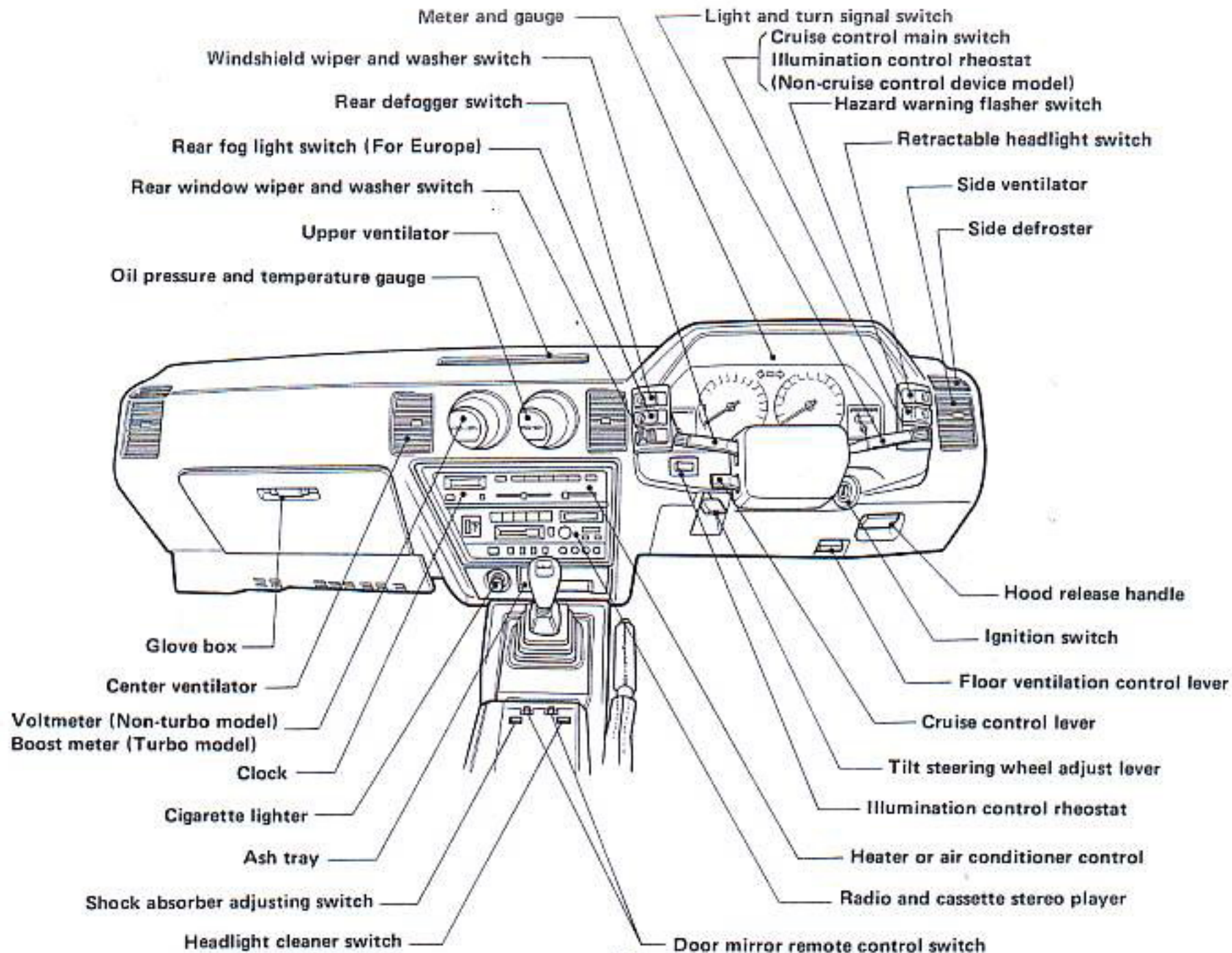


**MEMO**

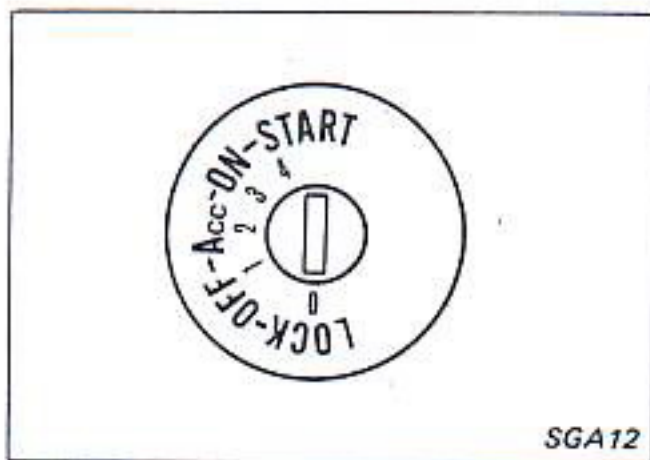


# Instruments And Controls





## IGNITION SWITCH



**LOCK:** Steering is locked by removing the key. For easier key operation when unlocking, move the steering gently.

**Never remove the key while driving. If the key is removed, the steering will lock.**

**OFF:** Engine and accessories off. Steering free.

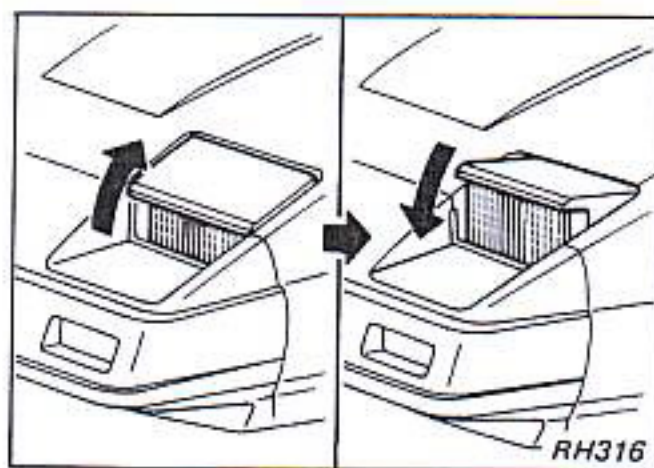
**ACC:** Accessory position.

**ON:** Driving position.

**START:** Starter engages.

For starting the engine, refer to the "Starting the engine" section under the heading "Starting And Driving".

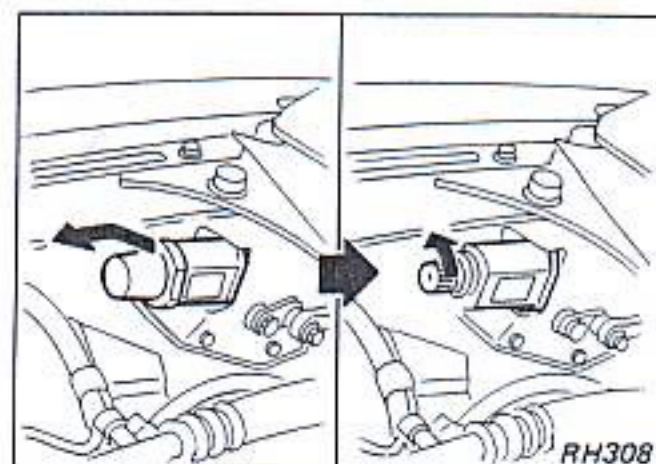
## RETRACTABLE HEADLIGHT SWITCH



When the switch is set to "ON", the retractable headlights will open. This switch does not turn on the headlights.

### CAUTION:

Before operating the switch, make sure that no one is near the headlights.



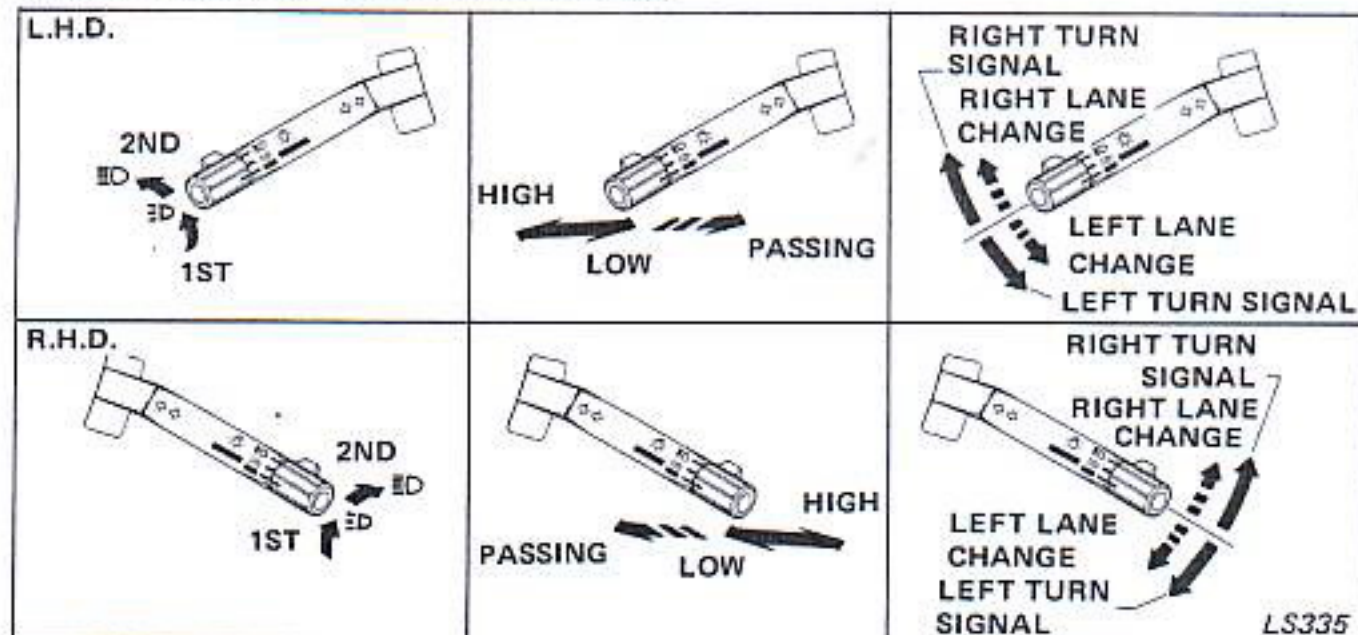
### Emergency procedures when headlights do not open/close

1. Turn off the light combination switch and the retractable headlight switch when you want to close the headlights. Turn either of the switches on when you want to open the headlights. Then disconnect the negative terminal of the battery or the fusible link.
2. Remove the motor shaft cap beside each headlight.
3. To open or close the headlights, turn the motor shaft counterclockwise by hand.
4. Reinstall the motor shaft cap.

Be sure to have the headlights checked and repaired by your NISSAN/DATSUN dealer or other competent service facility.



## HEADLIGHT, DIMMER AND TURN SIGNAL SWITCH LEVER



Light switch

Headlight beam selector/  
Passing signal switch

Turn signal/Lane change  
signal switch

LS335

### CAUTIONS:

- Remove the negative terminal of the battery or the fusible link.
- If work is started without disconnecting the negative terminal of the battery or the fusible link, the headlights and motor shaft may suddenly begin moving and catch your fingers.

### ☰ position

Parking (or clearance), tail, license plate, key illumination, automatic transmission selector lever indicator, instrument panel, heater control panel and radio lights should come on.

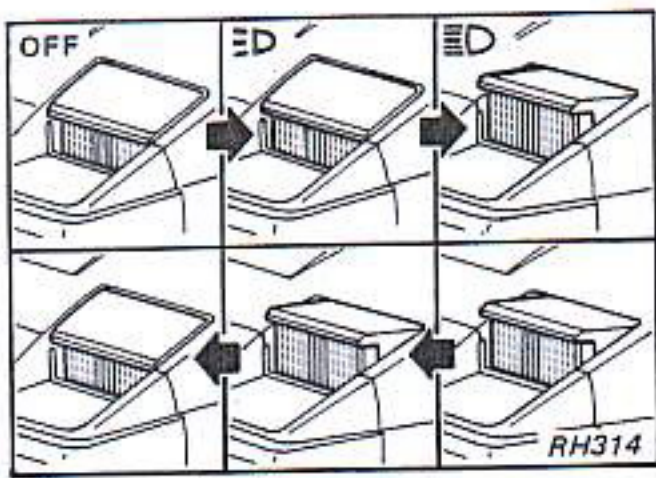
### ☰ position

Headlights and all the above lights except key illumination should come on.

- The passing signal can operate irrespective of the light switch position.
- To indicate a lane change, move the lever up or down to the point where lamps begin flashing.
- Key illumination comes off after running the engine.



# ILLUMINATION CONTROL RHEOSTAT

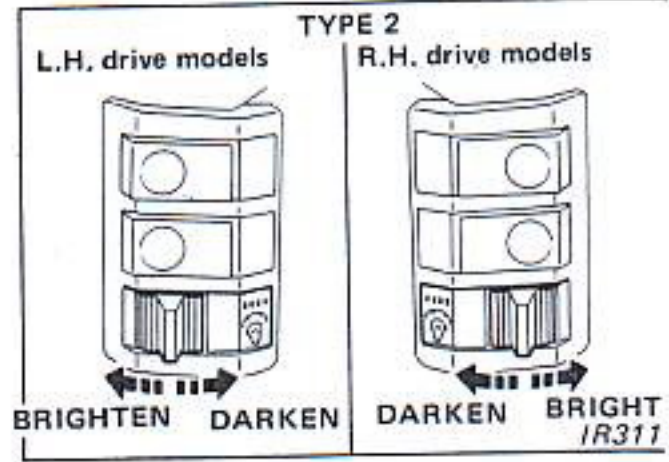
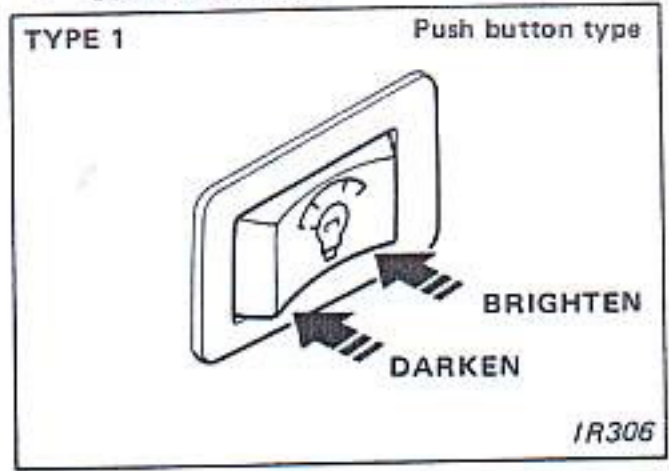


## Retractable headlights

The retractable headlights will open and come on when the light combination switch is set in the 2nd position, and will close when the switch is set in the "OFF" position.

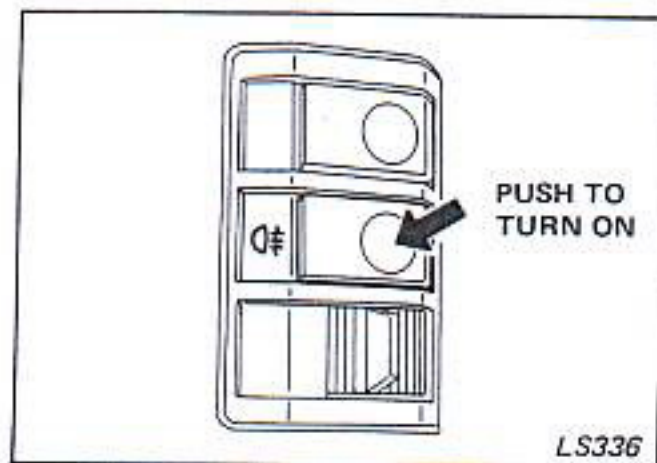
If the turn signal lever is pulled when the headlights are opened, the high beam lights will come on. If the signal lever is pulled when the headlights are closed, the headlights will open and come on. Release the lever and the headlights will go out and close. If the lever is released before the headlights have completely opened, the headlights will continue to the full-open position and then will go out and close.

- When driving in cold weather or on a snowcovered road and there is a possibility the headlight mechanism will become frozen, drive or park your vehicle with the headlights opened. (Operate the retractable headlight switch, not the light combination switch.) if the mechanism is frozen and will not operate, be sure to carefully melt or break the ice before operating the switch. Operating the retractable headlight switch repeatedly while it is frozen may drain the battery.
- Before opening or closing the headlights, make sure no one is near them. Anyone around might have his fingers caught while headlights are opening or closing.
- If a stone or a piece of ice gets in the device and the headlight opening-closing operation is stopped halfway, disconnect the battery or the fusible link and remove the obstacle; then operate the switch again.



The brightness of the instrument pane lights can be adjusted with the control knob.

## REAR FOG LIGHT SWITCH



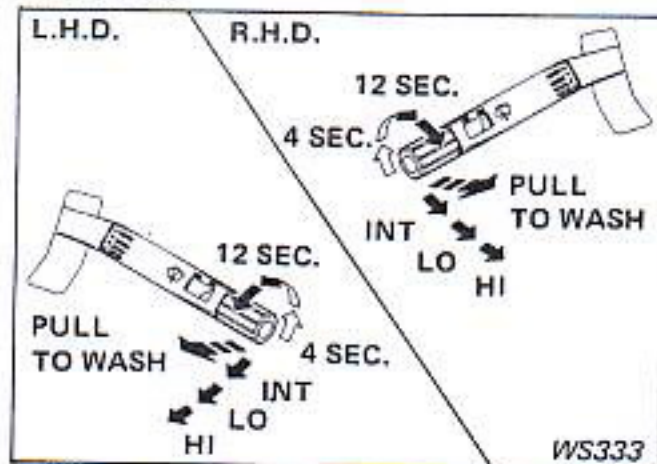
### TYPE 1

With the headlights "ON" in the low beam position, the rear fog lights should come on.

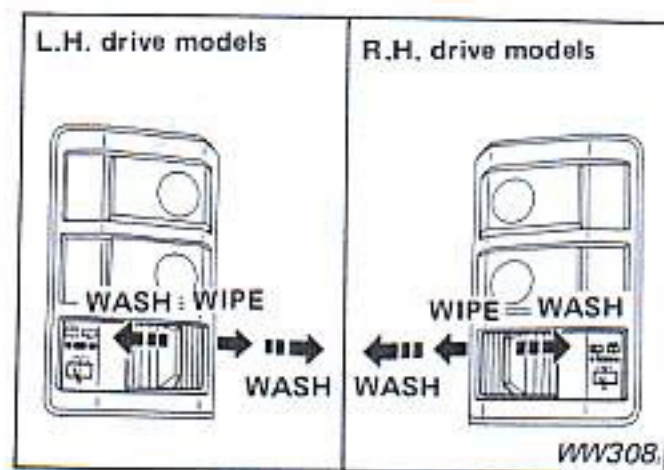
### TYPE 2

With the headlights "ON" in either the low or high beam position, the rear fog lights should come on.

## WIPER AND WASHER SWITCH



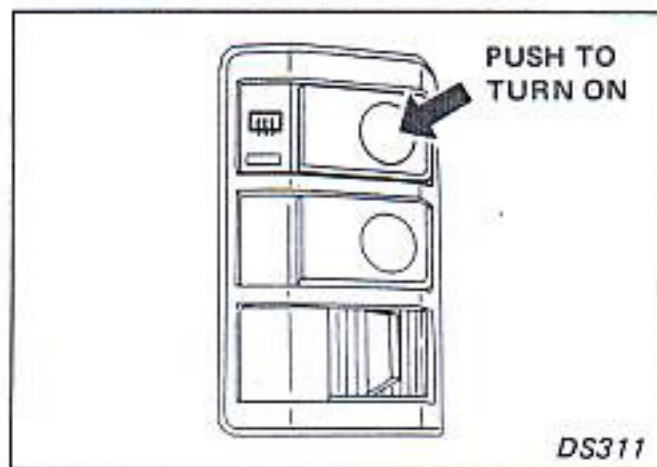
Windshield wiper and washer switch  
(Variable speed in the intermittent position)



Rear window wiper and washer switch

- Do not operate the washer continuously for more than 30 seconds.
- In cold weather, defrost the windshield glass before operating the washer.
- Do not substitute radiator anti-freeze for washer solutions.

## REAR WINDOW DEFOGGER SWITCH



An electric defogger is built into the rear window.

To heat the rear window glass, move the switch to the "ON" position.

A rear window defogger monitoring light will glow to indicate the system is on. When the window is clear, turn the switch off.

The switch operates only when the ignition switch is in the "ON" position.

### CAUTION:

When you clean the vehicle, do not clean the inner side of the window with abrasive-type cleaners, and do not use any type of scraper to remove foreign deposits from the inner glass surface as this may damage the electrical conductors.

## HEADLIGHT CLEANER SWITCH



Open the headlights by turning on the retractable headlight switch or the headlight switch.

Washer fluid is sprayed on the headlight lens by pushing the rear end of the switch button.

**This switch does not operate when the headlights are closed.**

## HAZARD WARNING FLASHER SWITCH

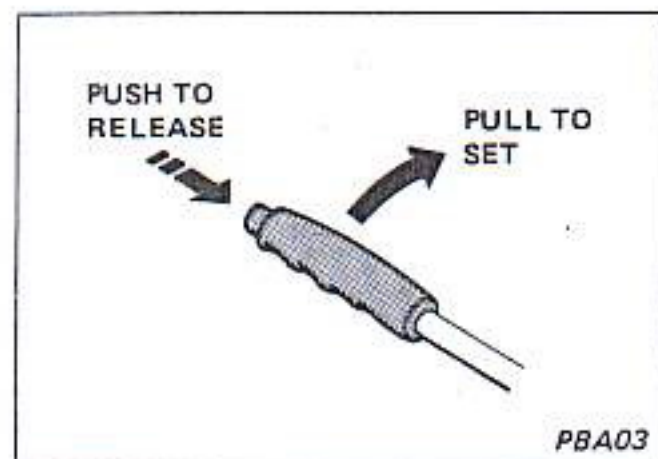


All directional signals flash simultaneously to warn other drivers and pedestrians that your vehicle is disabled or parked under emergency conditions.

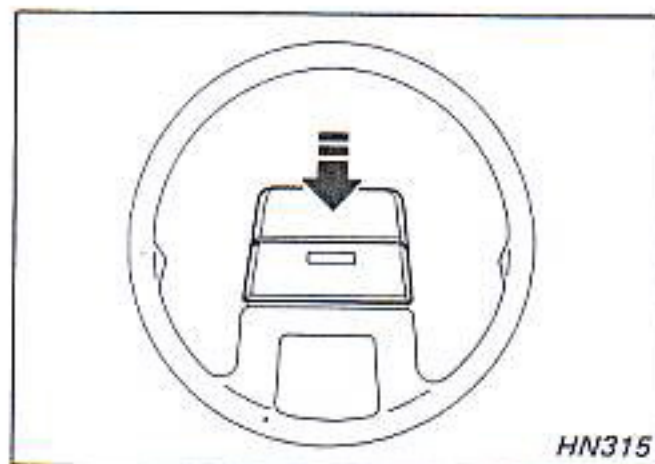
The flasher can be activated with the ignition switch either off or on.

The hazard warning flasher monitor alternately blinks with the turn signal indicator light when the hazard warning flasher is in operation.

## PARKING BRAKE LEVER

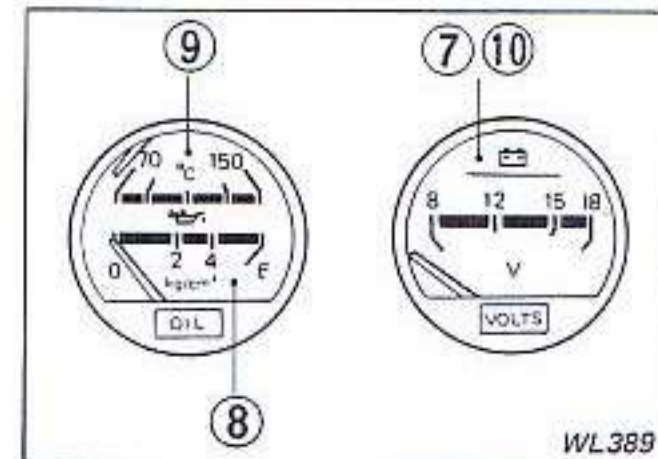
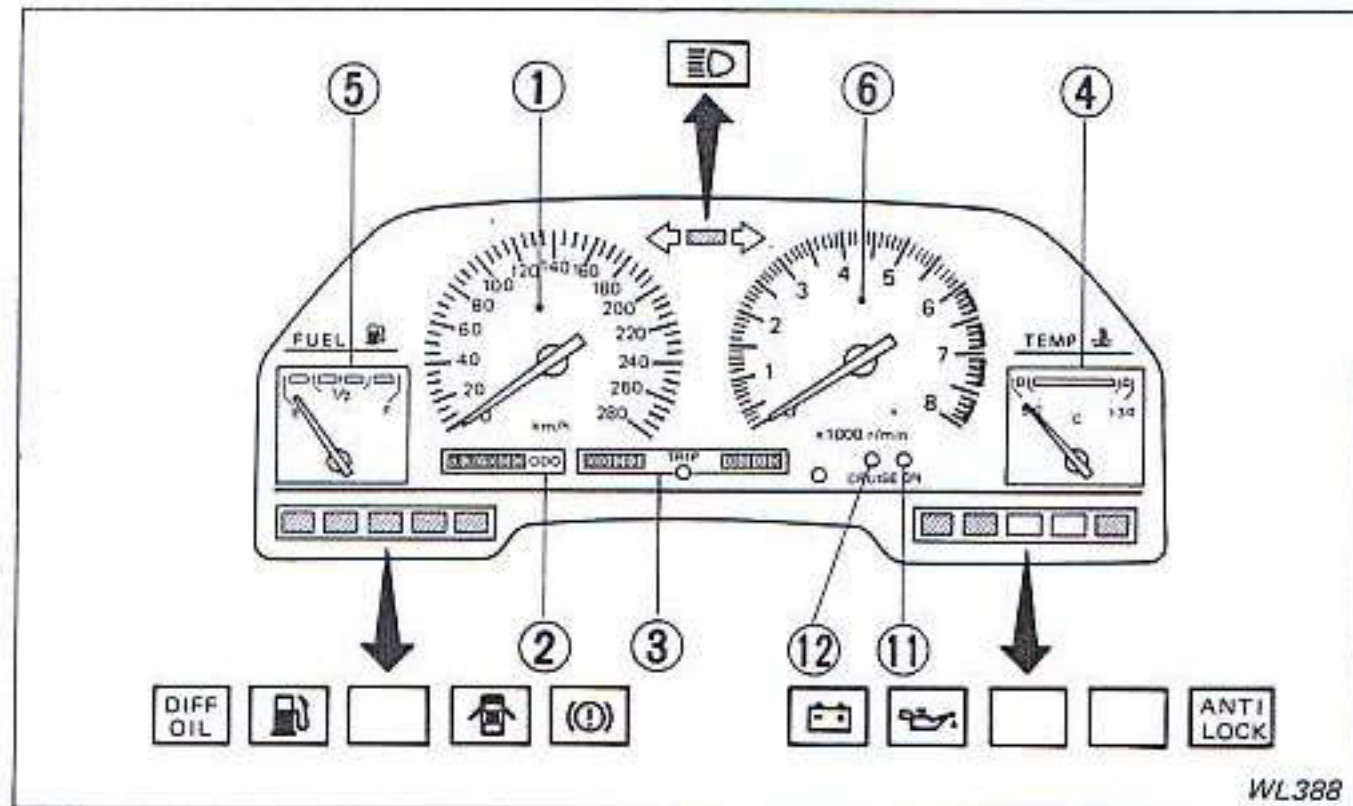


## HORN



To release the parking brake, pull the brake lever upward slightly, depress the button and push the lever all the way down.

## INSTRUMENTS



WL389

### METERS AND GAUGES

- ① Speedometer
- ② Odometer
- ③ Trip odometer
- ④ Coolant temperature gauge

Do not continue to drive your vehicle when the needle has swung fully to the hot side. This indicates overheating and continued operation will cause engine damage. If your vehicle overheats, refer to "In Case of Emergency" section.

### ⑤ Fuel gauge

When the ignition switch is "ON", the fuel gauge registers the APPROXIMATE fuel level in the tank. The position of the needle will vary slightly when accelerating, braking, or when the vehicle is going up or down hill.

- When the ignition switch is turned "OFF", the fuel gauge needle will remain at almost the same position that it held before the switch was turned off. However, the indication may vary slightly when parking the vehicle for extended periods of time.
- It is advisable to refill the fuel tank before the gauge registers Empty.

### ⑥ Tachometer

Operating the engine when the needle is in the red zone can lead to serious engine damage.

### ⑦ Voltmeter (Non-turbo model)

When the ignition switch is turned to the "ON" position, the voltmeter indicates the battery voltage; while the engine is running, it indicates the alternator voltage of 11 to 15 volts. However, while the engine is being started, it should register less than 9 volts.

**If the needle is not in the range of 11 to 15 volts during driving the vehicle, check for loose fan belt, battery condition, or charge rate as soon as possible.**

### ⑧ Oil pressure gauge

During ordinary driving, the needle will remain 2 to 4 kg/cm<sup>2</sup> (196 to 392 kPa, 2.0 to 3.9 bar, 30 to 60 psi) with the engine at normal operating temperature.

**If the needle moves abnormally low or shakes frequently, turn off the engine and check the engine oil level.**

### ⑨ Oil temperature gauge

**If the temperature exceeds 150°C (300°F), slow down or stop the vehicle and check the oil level. If necessary, contact your NISSAN/DATSUN dealer.**

### ⑩ Boost meter (Turbo model)

When the engine is running, the boost meter indicates the pressure in the intake manifold. The boost meter indicates a negative pressure when the engine is idling or the vehicle is moving at extremely low speeds. A positive indication on the meter shows that the turbocharger is operating.


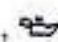



**When the pressure exceeds the maximum positive or negative value shown on the meter, stop the vehicle as engine components could be damaged. Have the condition checked at your nearest NISSAN/DATSUN dealer or other competent service facility.**

### ⑪ ASCD "ON" light

### ⑫ ASCD "CRUISE" light

## WARNING/INDICATOR/ MONITORING LIGHT AND CHIME

### Checking bulbs

Bulbs (DIFF OIL, , , , , , ANTI LOCK) are checked by turning the ignition switch to the "ON" position without running the engine and with the parking brake applied and the rear window defogger switch in "ON" position. Burned out bulbs should be replaced.

## BRAKE

### Parking brake system

The light will continue to glow when the parking brake is applied with the ignition switch on.

### Brake fluid level indicator system

With the ignition switch on, and the parking brake not applied, the light glows if the fluid level is lower than the prescribed level.

**When the fluid level is low, do not drive unless it is unavoidable, and then only at a reduced speed to the nearest service station for assistance.**

### **DIFF OIL (For Europe)**

This warning light indicates that the differential oil temperature is extremely high. If it flickers or stays on when the engine is running, pull off the road immediately and check the differential for oil leakage.

If there is no leakage, slowly drive your vehicle to the nearest dealer for repairs. If there is leakage, your vehicle will have to be towed to the dealers.

**Continued driving without having the necessary repairs done could be dangerous.**

### **CHARGE**

If the light glows when the engine is running, the alternator and electrical system should be checked as soon as possible.

### **OIL**

If the light comes on when the engine is running, first check the oil level. If the cause is something else, do not drive any further, but contact your NISSAN/DATSUN dealer.

**Continued running of the engine when the warning light is on may damage the engine.**

### **DOOR**

The light comes on when one or more doors or the hatch gate is open with the engine running.

### **FUEL**

When the ignition switch is on, the light comes on when the amount of fuel in the fuel tank drops below approximately 11 liters (2-3/8 Imp gal).

### **ANTI LOCK (Option)**

If the light glows when the engine is running, it indicates there is an abnormality in the anti-lock device of the brake system.

#### **Anti-lock brake system**

The anti-lock brake system controls the wheels so that they will not lock when braking abruptly or when braking on a slippery road. Thus difficult steering and swerving of the rear of the vehicle due to locked wheels is prevented. The system detects the number of rotations of the wheels and electronically controls the oil pressure to be applied to the brakes.

If an abnormality occurs in the system the anti-lock function will stop but the ordinary brakes will operate normally.

**If the light glows while you are driving contact your NISSAN/DATSUN dealer for repair.**

### **HIGH BEAM**

High beam indicator light



Turn signal indicator lights  
Hazard warning indicator lights

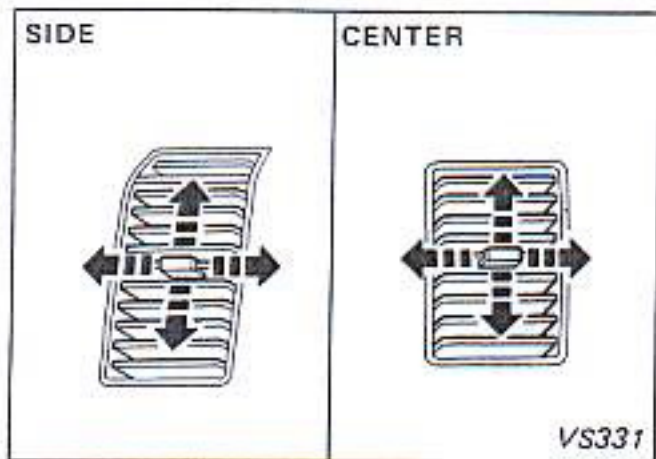
### **WARNING CHIME**

A chime will sound when the driver side door is opened while the ignition key is set at "ACC", "OFF" or "LOCK" position with the light switch turned on.

The chime stops when the light switch is turned off.



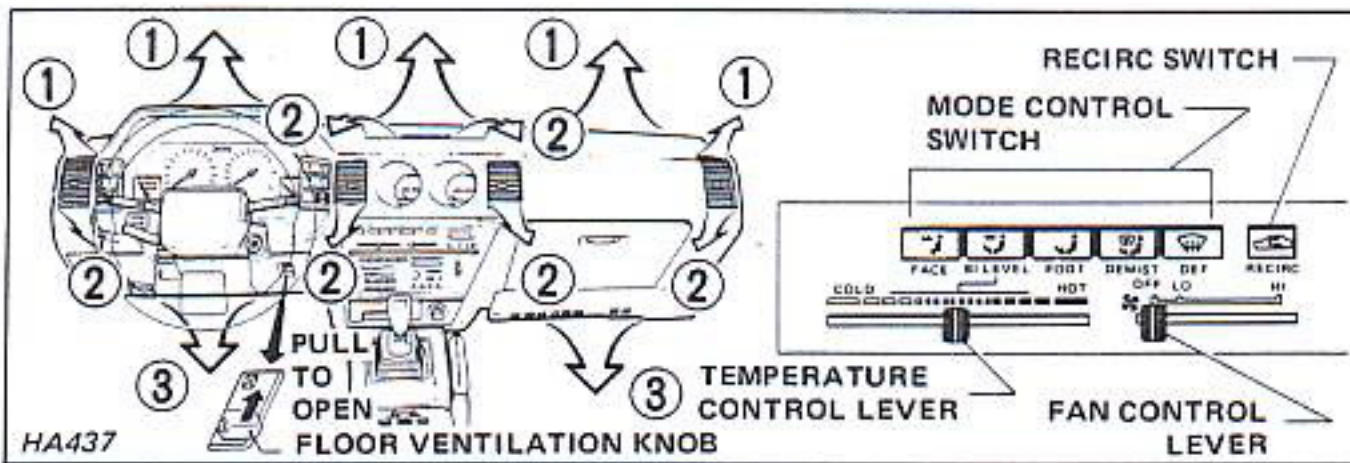
## VENTILATORS



### FOR FORCED VENTILATION

When ventilating, refer to HEATER or AIR  
CONDITIONER section for operation.

## HEATER



### OPERATION

Preferred climate setting	Control position				Air source	Air outlet
	Mode control switch	Temperature control lever	Fan control lever	RECIRC switch		
No heating	Any position	"COLD"	"OFF"	"ON"	-	No air flow
		"COLD" to "HOT"		"OFF"	Outside	①
Ventilation		"COLD" to "HOT"	"LO" to "HI"	"OFF"	Outside	②
Bi-level						②, ③
Heating						③
Defrosting and Heating						①, ③
Defrosting						①
Fast heating		"HOT"	"HI"	"ON"	Inside	③

### FLOOR VENTILATOR KNOB

When the floor ventilator is pulled up with the MODE control switch at the " " position, the air will be directed toward the floor area as well as the face area.

### OPERATING TIPS

- Clear any snow and ice from the air inlet in front of the windshield to improve heater and defroster efficiency.
- Always remove snow and ice from the front, side and rear windows to improve defogging efficiency and ensure proper visibility.  
Remove snow and ice from the outside mirrors and lights at the same time.
- For adequate rear seat heating, keep the floor areas beneath the front seats clear, and operate the fan as required.

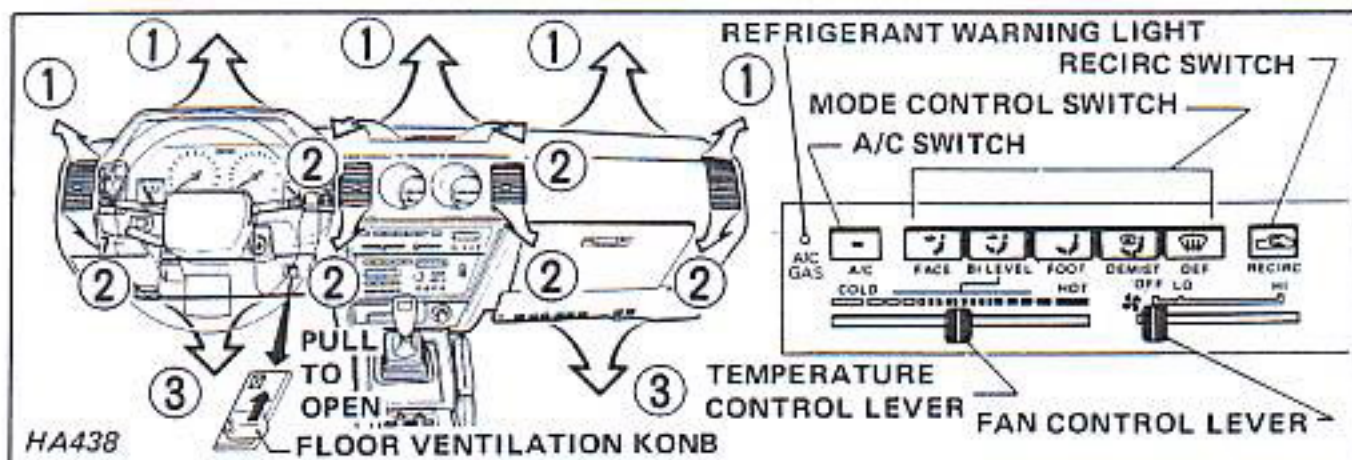
## SWITCH

If the switch is pressed to "ON", interior air will be recirculated. If the switch is pressed again to "OFF", outer air will enter the compartment.

To temporarily prevent entrance of dust, bad odors or exhaust gases into the interior, push the switch to the "ON" position.

**Prolonged use of the "ON" position may cause the interior air to become stuffy and the windows to fog up. To prevent these, usually, the "OFF" position should be used.**

# AIR CONDITIONER



## OPERATION

Preferred climate setting	Control position				Air source	Air outlet
	Mode control switch	Temperature control lever	Fan control lever	RECIRC switch		
Cooling and Dehumidified heating*1		"COLD" to "HOT"	"LO" to "HI"	"ON" or "OFF"	Inside or Outside	②
						②, ③
						③
						①, ③
Dehumidified defogging*1				"OFF"	Outside	①
Ventilation Heating Defrosting*2	Utilize the same procedure as for the HEATER.					

\*1: When rapid cooling or improved dehumidification is desired, or when the outside temperature is high, set the RECIRC switch in the "ON" recirc position.  
And set the fan control lever in the "HI" position.

\*2: If it is difficult to defrost the windshield glass while the air conditioner switch is turned off, turn it on.

## A/C SWITCH

To operate the air conditioner system, push the A/C switch to "ON" and move the FAN CONTROL LEVER from "LO" to "HI". The air conditioner indicator light on the A/C switch will come on.

## REFRIGERANT WARNING LIGHT

This warning light indicates that the refrigerant capacity in the air conditioner system is low.

This light should glow when the ignition switch is "ON" (engine off) and will go out when the engine is started.

If it stays on during normal driving speed, stop the air conditioner and contact your NISSAN/DATSUN dealer or other competent service facility.

### CAUTION:

Continued operation of the air conditioner when the refrigerant warning light is on may damage the air conditioner system.


## SWITCH

If the switch is pressed to "ON", interior air will be recirculated. If the switch is pressed again to "OFF", outer air will enter the compartment.

To temporarily prevent entrance of dust, bad odors or exhaust gases into the interior, push the switch to the "ON" position.

Prolonged use of the "ON" position may cause the interior air to become stuffy and the windows to fog up. To prevent these, usually, the "OFF" position should be used.

## FLOOR VENTILATOR KNOB

When the floor ventilator is pulled up with the MODE control switch at the "  " position, the air will be directed toward the floor area as well as the face area.

## OPERATING TIPS

- If your vehicle interior is extremely hot, first drive the vehicle for two or three minutes with all windows open. Close the windows as soon as the hot air has been forced out of the vehicle.
- Keep windows closed while the air conditioner is in operation.
- When the air conditioning system is not in use for a month or more, you must run the engine at idle and turn the system on for a few minutes once each week, even during winter months. This will keep the compressor and seals properly lubricated and will prolong the service life of the system.
- Due to the additional loads imposed on the engine cooling system, it is not unusual for the coolant temperature gauge to register higher than normal when the air conditioner is used. When the vehicle is stationary for significant periods, select neutral and lift engine speed to assist cooling.

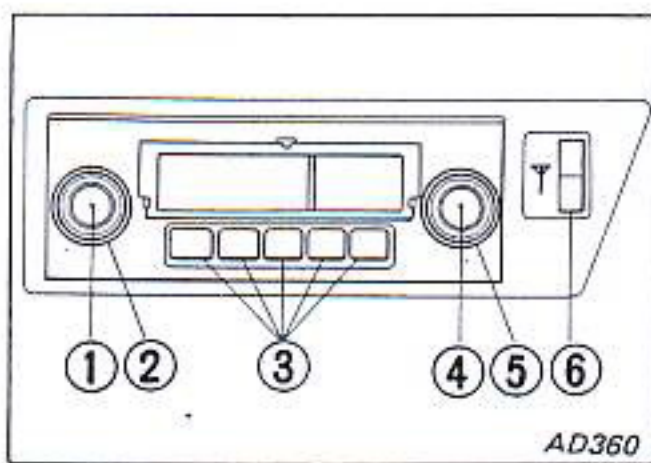
## RADIO

To turn the radio on, turn the ignition key to "ACC" or "ON". If you listen to the radio with the engine not running, turn the key to the "ACC" position.

Adjust the antenna length for the best reception. A fully extended antenna is usually best for distant reception.

Radio reception is affected by station signal strength, distance from radio transmitter, buildings, bridges, mountains, and other external influences. Intermittent changes in reception quality normally are caused by these external influences.

## AM-FM RADIO

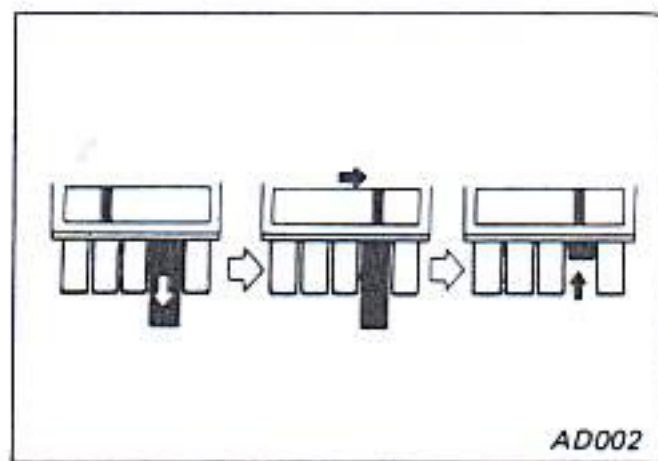


### Except for Europe

- ① On-Off and volume control knob
- ② Tone control knob
- ③ Band selector and tuning push button
- ④ Manual tuning control knob
- ⑤ Speaker balance control (AM-FM stereo radio only)
- ⑥ Power antenna switch

### For Europe

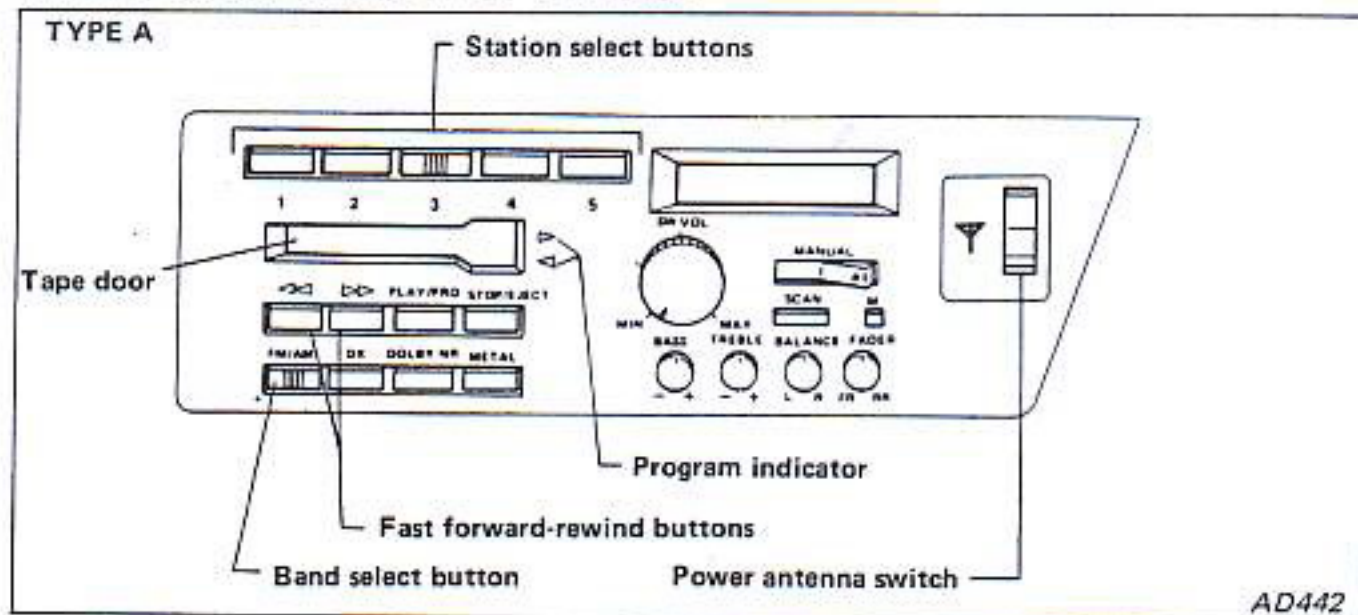
- ① Manual tuning control knob
- ③ Band selector and tuning push button
- ④ On-Off and volume control knob
- ⑤ Tone control knob
- ⑥ Power antenna switch



### SETTING PUSH BUTTONS

1. Select the band you desire by pushing one of the band selector buttons or by sliding the band selector (2 or 3 band radio only).
2. Preset the button in the sequence shown by the arrows in the figure.

## AM-FM ELECTRONIC TUNING RADIO WITH CASSETTE PLAYER



### POWER ANTENNA

To extend the antenna, depress the "upper" end of the power antenna switch; to retract it, depress the "lower" end.

Turn the SW.VOL knob on to listen to the radio and tune in the desired station.

Turn the SW.VOL knob to adjust the volume.

Pushing the SW.VOL knob while the cassette tape is playing will turn off the cassette player and turn on the radio.

### Diversity system (If so equipped)

The electronic tuning radio has a DIVERSITY reception system. The FM signal can reflect off of buildings or mountains.

This causes offensive noises. The DIVERSITY system employs two antennas; one is a rod type antenna and the other is a wire antenna built into the rear window.

This system automatically switches to the antenna which receives less noise. Thus the radio provides high quality reception.

### Selecting the desired band

Push the band select button to change to the desired band reception.

The stereo indicator will glow during FM stereo reception. When the stereo broadcast signal is weak, the radio will automatically change from stereo to monaural reception.



### Tuning

#### Manual tuning

Push down the manual tuning button.

#### SCAN tuning

Push the SCAN tuning button. SCAN tuning begins from low to high frequencies and stops at each broadcasting station for five seconds. Pushing the button again during this five second period will stop SCAN tuning and the radio will remain tuned in that station.

Scan tuning will not stop at exceptionally weak station. In such a case, set the DX button to the "DX" (  ) position to increase reception sensitivity. For normal use, set the button in the "LOCAL" (  ) position.

### Station memory operations

Five stations can be set for each band.

1. Select the desired station.
2. Push the M (MEMORY) button. The memory indicator will light for five seconds.
3. Push a station select button while the memory indicator is lit.
4. Other buttons can be set in the same manner.

If the battery cable is disconnected, or if the fuse blows, the radio memory will be cancelled. In that case, reset the desired stations.

### Adjusting speaker sound balance

Turn the BALANCE control knob to adjust the volume between the right and left speakers.

Turn the FADER control knob to adjust the volume between the front and rear speakers.

### Adjusting tone quality

Turn the BASS and TREBLE control knob to obtain the most pleasant sound.

### Cassette tape operation

Turn the ignition key to "ACC" or "ON", then lightly insert the cassette tape into the tape door. The cassette tape will be automatically pulled into the player.

The radio will turn off and the cassette tape will begin to play.

**Do not force the cassette tape into the tape door. Pressing strongly could cause the player damage.**

The cassette tape will automatically change directions to play the other channel when the first channel is completed.

### PLAY button

Push the PLAY button to play the cassette tape when the tape play stops, the tape is fast forwarded or rewound or the radio is on.

- To maintain good quality sound, NISSAN recommends you use cassette tapes 60 minutes or less in length.
- Take the cassette tape out of the player when not in use to prevent possible damage to the player and cassette tape. Store the cassette tape in a cool, clean, dry and shady place.



## AM-FM STEREO RADIO WITH CASSETTE PLAYER

### Fast forwarding or rewinding the tape

Push either the forward or rewind button.

### Changing the direction of tape play

Push the PRO (program) select button.

### Stopping and ejecting the cassette tape

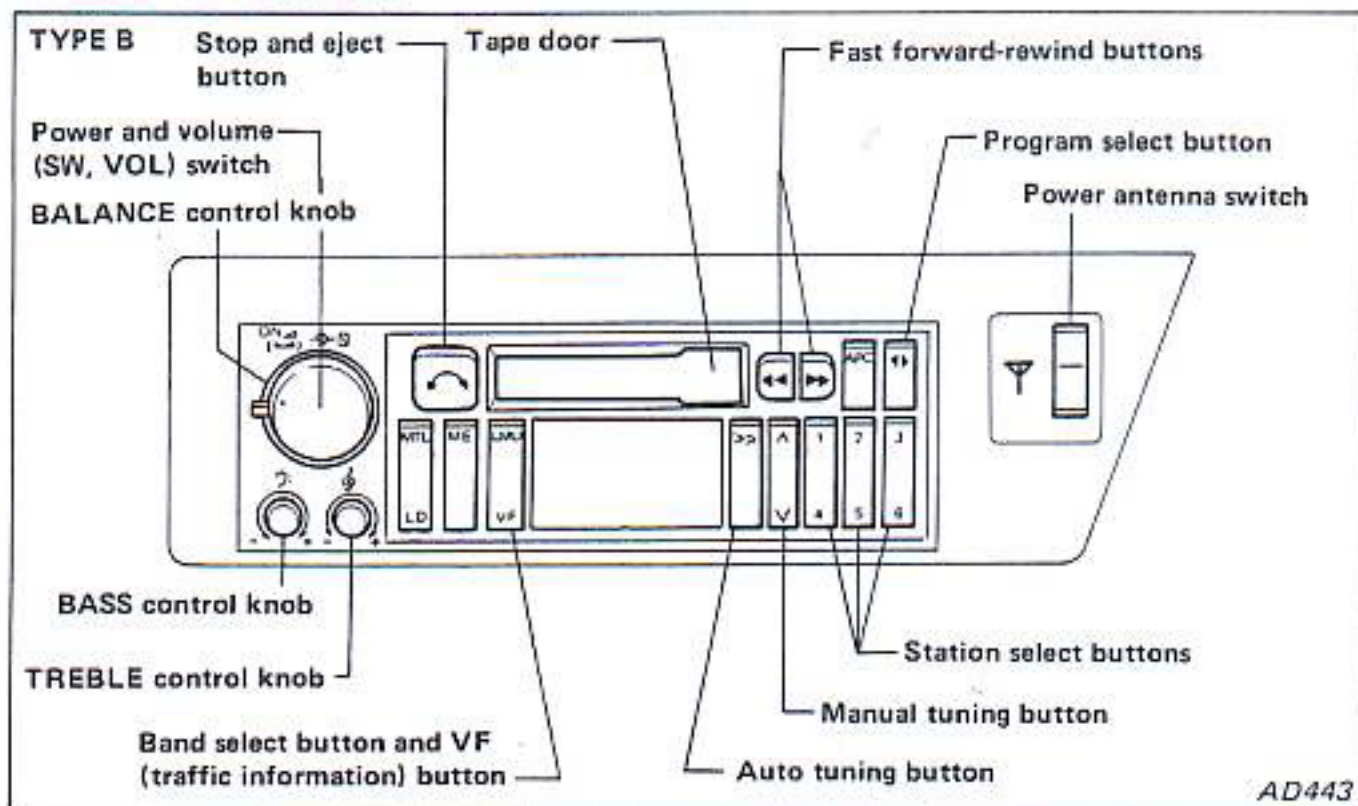
Push the STOP/EJECT button.

### Dolby noise reduction

Push the "Dolby NR" button to on (  ) to reduce high frequency tape noise. Push again to turn it off (  ).

### Metal of chrome tape usage.

Push the METAL button to on (  ). Push again to turn it off (  ).



Push the SW.VOL knob to listen to the radio and tune in the desired station. Turn the SW.VOL knob to adjust the volume.

### Diversity system (If so equipped)

The electronic tuning radio has a DIVERSITY reception system. The FM signal can reflect off of buildings or mountains. This causes offensive noises. The DIVERSITY system employs two antennas; one is a rod

type antenna and the other is a wire antenna built into the rear window. This system automatically switches to the antenna which receives less noise. Thus the radio provides high quality reception.

### Selecting the desired band

Push the band select button to change to desired band reception.

The stereo indicator will glow during UKW stereo reception. When the stereo broadcast signal is weak, the radio will automati-

cally change from stereo to monaural reception.

## **Tuning**

### **Manual tuning**

Push down the manual tuning button.

### **Auto tuning**

Push the auto tuning button to change the broadcast to the next broadcasting station. The automatic tuning will not stop at exceptionally weak stations.

## **Station memory operations**

Five stations can be set for each band

1. Select the desired station.
2. Push the ME (MEMORY) button. The memory indicator will light for five seconds.
3. Push a station select button while the memory indicator is lit.
4. Other buttons can be set in the same manner.

If the battery cable is disconnected, or if the fuse blows, the radio memory will be cancelled. In that case, reset the desired stations.

## **Adjusting speaker sound balance**

Turn the BALANCE control knob to adjust the volume between the right and left speakers.

## **Adjusting tone quality**

Turn the BASS and TREBLE control knob to obtain the most pleasant sound.

## **Loudness selection**

Push the LD (LOUDNESS) button to emphasize both low and high tones.

## **Receiving the traffic information broadcast**

Push the VF button (VF indicator will come on) in the UKW band. The radio will be automatically tuned in to the traffic information broadcast. (The SK indicator will come on when tuned to the traffic information broadcast.)

It will automatically change over to radio from the cassette tape play when the traffic information broadcast begins, if the radio is tuned in to a traffic information broadcast.

**Do not push the VF button in the areas where the traffic information is not broadcasted. You cannot receive normal broadcasts with the VF button ON.**

## **Cassette tape operation**

Turn the ignition key to "ACC" or "ON", then insert the cassette tape into the tape door as far as it will go in the player. The radio will turn off and the cassette tape will begin to play.

The cassette tape will automatically change directions to play the other channel when the first channel is completed.

- To maintain good quality sound, NISSAN recommends you use cassette tapes 60 minutes or less in length.
- Take the cassette tape out of the player when not in use to prevent possible damage to the player and cassette tape. Store the cassette tape in a cool, clean, dry and shady place.

## **Fast forwarding or rewinding the tape.**

Push either the forward or rewind button.

## **Changing the direction of tape play**

Push the program select button.

## **Stopping and ejecting the cassette tape**

Push the stop and eject button.

## POWER ANTENNA

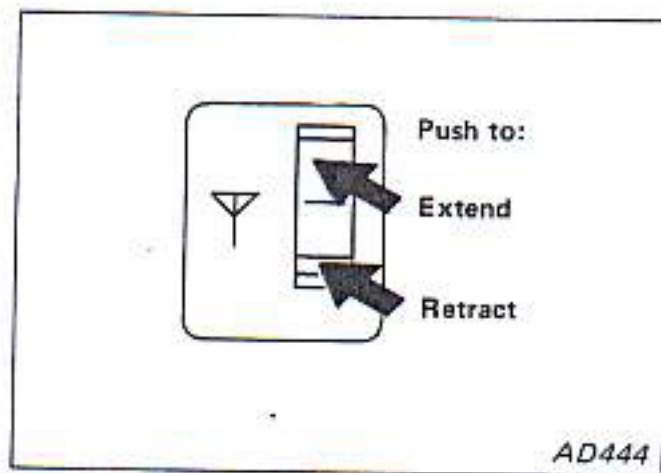
**Metal or chrome tape usage**  
Push the MLT (METAL) button.

### Automatic program search operation

Automatic program search allows you to select the next program on the tape sequentially.

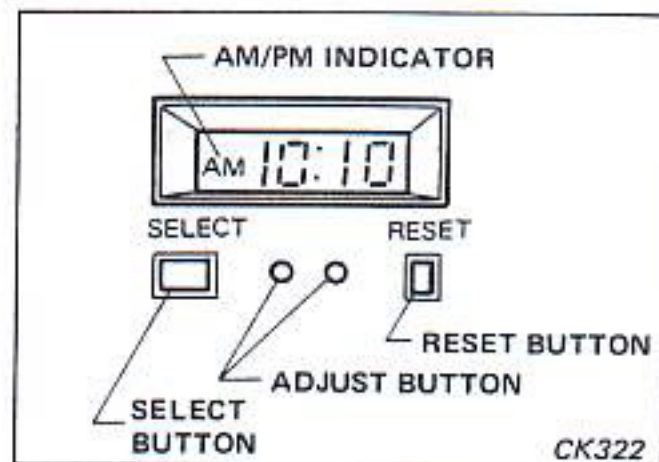
1. While playing a tape, push the APC button to set the next program.
2. Push either the fast forward or rewind button for the direction desired. The tape will run quickly and stop just prior to the next program and then play.

This system searches by counting the blank intervals between selections. If there is a blank interval within one program or there is no interval between programs, the system may not search correctly.



To extend the antenna, push the upper end of the switch; to retract, push the lower end.

## CLOCK



### DIGITAL TYPE

The time is displayed when the ignition switch is in the "ACC" or "ON" position, or the light switch is in the "ON" position. The clock continues operation even when the ignition switch is in the "OFF" or "LOCK" position. The digital clock display will change as follows when the "SELECT" button is pressed.

"Hours and minutes" → "Month and day"  
→ "Elapsed time" → "Hours and minutes"  
→ ...

However, the display of "month and day" will automatically return to "hours and minutes" within one or two minutes.

Once the power supply is disconnected the clock will continue to flash 12:00 in hours and minutes or the date 1 1 (Jan. 1). In this case, pressing the adjust button will start the clock running again.

The adjust button is designed so that it cannot be pressed with a finger. When adjustment is necessary, press the adjust button with a pointed article such as a pencil. This is designed to prevent an accidental adjustment.

To adjust the clock, proceed in the following manner.

#### Hour and minute display

1. Press the "SELECT" button and set the digital display to "hours and minutes". For example, 10:45. In this case, the colon located in the middle of the digits flashes.
2. Press the left adjust button and adjust to the desired hour with the AM/PM indicator lighted. The upper side indicates AM, while the lower side indicates PM.
3. Keep pressing the right adjust button and adjust to the desired minute.

#### Calendar (Month and day) display

1. Press the "SELECT" button and set the digital display to "month and day". For example 2 1 (Feb. 1). In this case,

the colon located in the middle of the digits disappears.

2. Press the left button and set to the desired month. The meanings of the numerals for the months are:

1: January	2: February
3: March	4: April
5: May	6: June
7: July	8: August
9: September	10: October
11: November	12: December

3. Press the right button and set to the desired day.

#### Elapsed time

Press the "SELECT" button and set the display to "elapsed time"

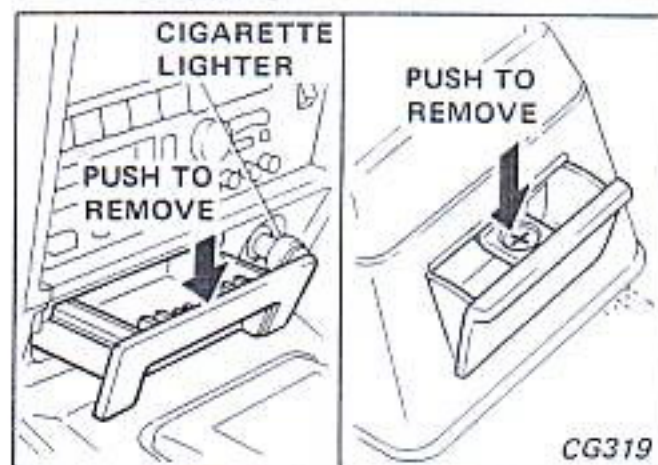
The display will start from "00:00". It indicates "minutes/seconds", and it will change to "hours/minutes" after one hour passes. Pushing the "RESET" button will reset the display to "00:00".

#### Time adjustment

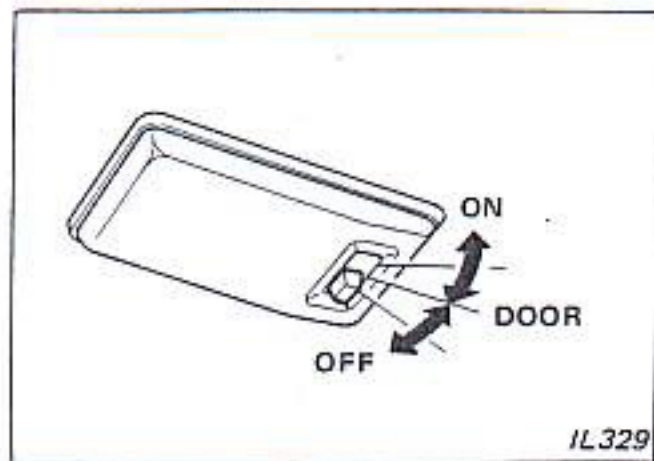
When the clock displays either "hours and minutes" or "minutes and seconds", the clock can be set to the time signal.

For example, if the "RESET" button is depressed while the time is between 8:01 and 8:29, the display will be reset to 8:00. If depressed while it is between 8:30 and 8:59, the display will be reset to 9:00.

## CIGARETTE LIGHTER AND ASH TRAYS



## INTERIOR LIGHT



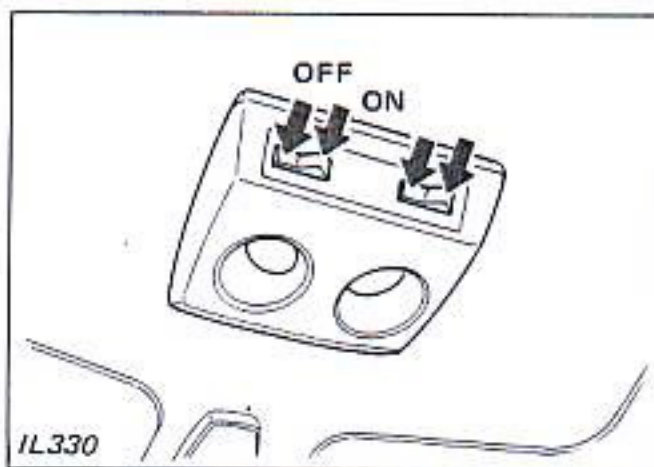
### Settings:

"ON": The light stays on.

"DOOR": The light comes on when any door or the rear hatch (2-seater models) is opened.

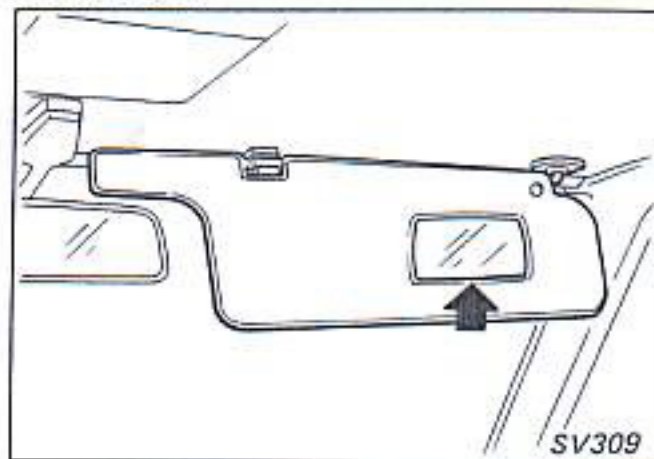
"OFF": The light remains off at all times.

## SPOT LIGHT



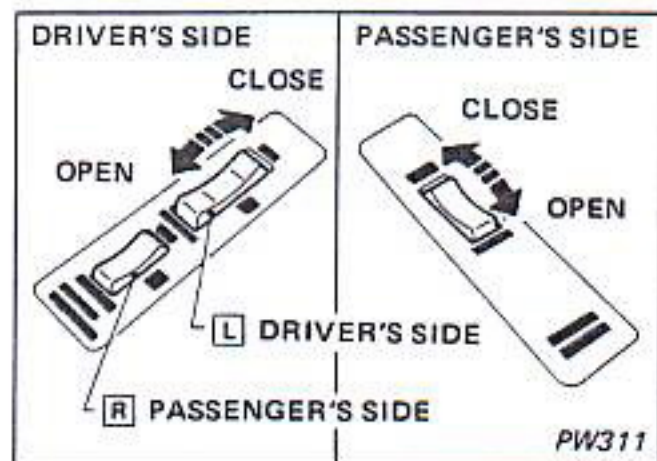
To turn on the spot light, push the switch. To turn off the light, push the switch again. The spot light will be helpful for reading road maps, instructions, etc. in the vehicle at night.

## SUN VISORS AND VANITY MIRROR



You can lift the sun visors from their center mounting and turn them toward the windows to block glare from the sides. The vanity mirror is located behind the sun visors.

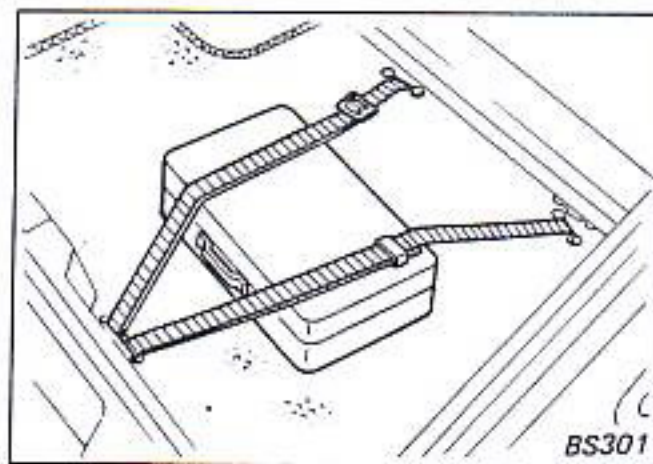
## POWER WINDOW



The power window can be operated when the ignition key is in the "ON" position.

To assure safety for children and others, make sure that all passengers have their hands, etc. inside the car before closing the windows. Also, be sure to remove the ignition key and keep it with you when you leave the car.

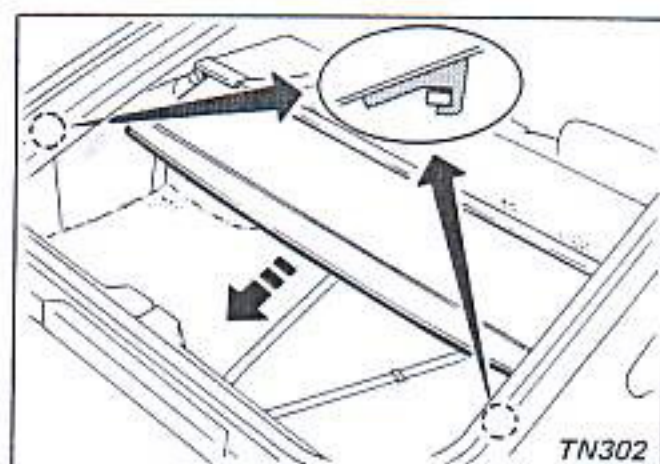
## BAGGAGE STRAP



There is a strap in the baggage space to secure baggage while traveling. Use of the baggage strap to secure baggage will help keep it from being thrown about and injuring occupants in an accident.

Luggage or other cargo should not be placed in a manner which will obstruct the driver's rear or side vision.

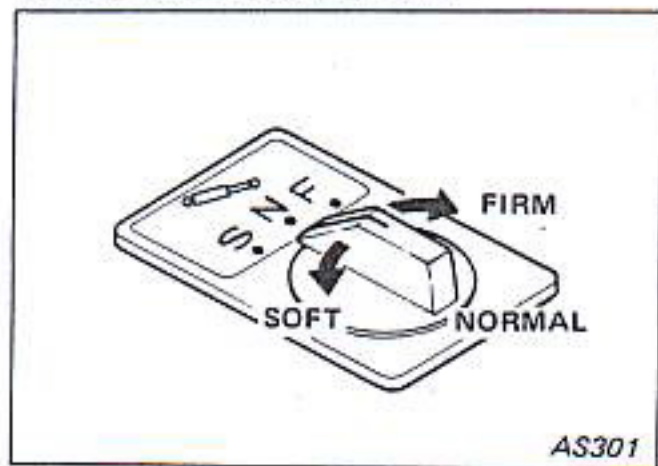
## TONNEAU COVER



The tonneau cover keeps the luggage compartment contents hidden from the outside.

Never put anything on the tonneau cover, no matter how small. Any object on it could cause an injury in an accident or when the brakes are applied suddenly.

## ADJUSTABLE SHOCK ABSORBER SWITCH



The damping force of the shock absorbers can be set at the level you desire by the switch on the center console. The indicator light (green) on the selected position will illuminate.

Marks "S", "N", and "F" on the switch stand for "Soft", "Normal" and "Firm", respectively.

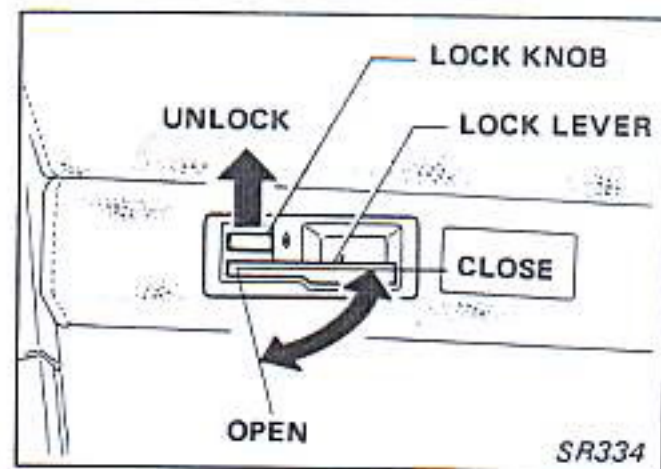
The switch can be switched over only when the ignition switch is in the "ON" position.

When the system is normal, only the indicator light for the selected position will come on. If any other condition exists, (for example, all the three indicator lights come on or go off, or any of the lights flickers), it shows that there is an abnormality. Should this occur, contact your NISSAN/DATSUN dealer or other competent service facility and have it checked.

## T-BAR ROOF

### WARNING:

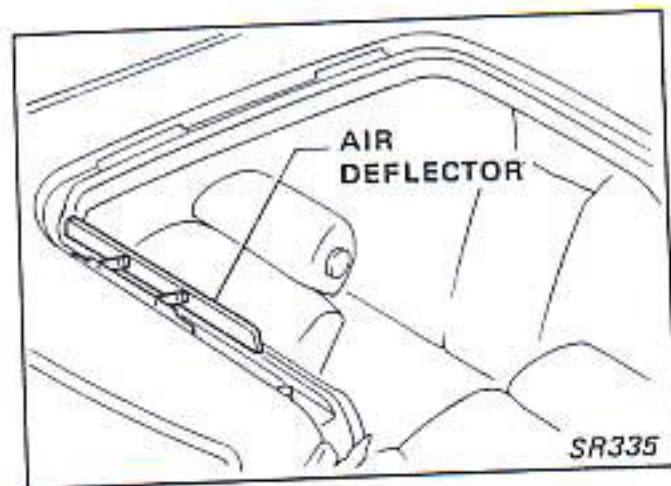
- Do not attempt to remove or install the hatch panel while driving the vehicle.
- Do not touch the lock knob or lock lever while driving the vehicle with the hatch panel in place.
- Do not stand up or extend any portions of your body out of the opening, while driving the vehicle with the hatch panel removed.



## REMOVING THE HATCH PANEL

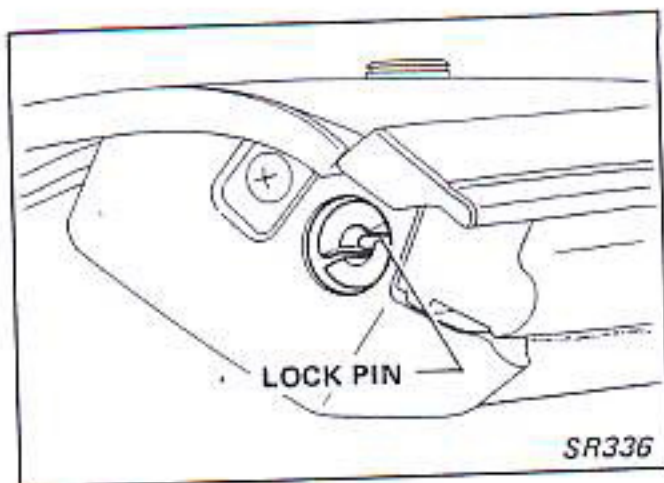
1. While pushing up the lock knob, pull the lock lever to its fully open position.
2. Lift the hatch panel and remove it from the vehicle.

When removing the hatch panel, securely support it using both hands so as not to drop it.



**CAUTION:**

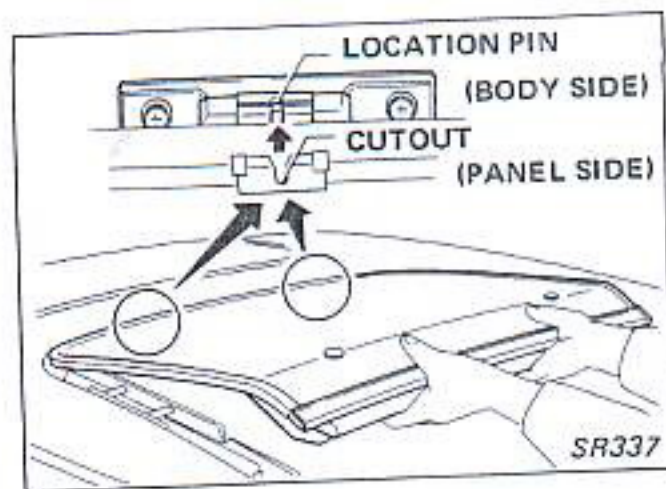
Do not attempt to put hot water on a frozen air deflector in cold weather.



**INSTALLING THE HATCH PANEL**

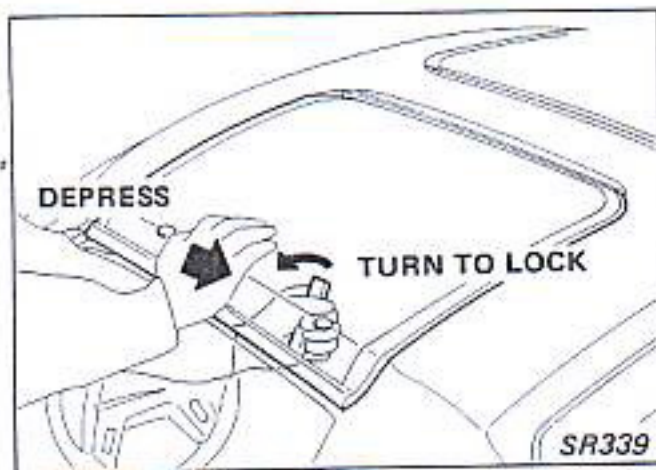
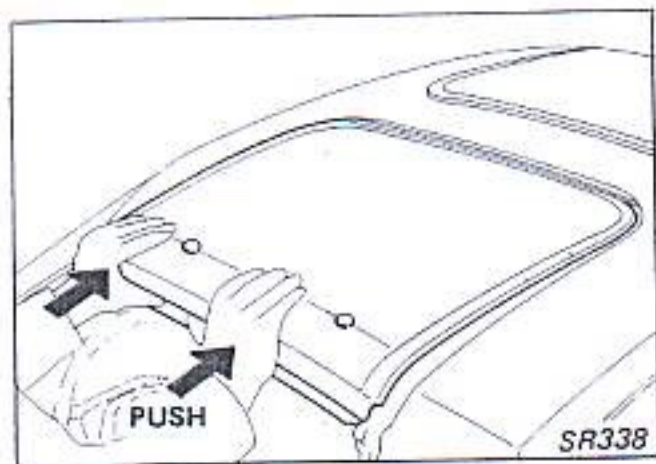
1. Move the lock lever to its fully open position.

Ensure that the end of the lock pin does not protrude from the roof garnish.

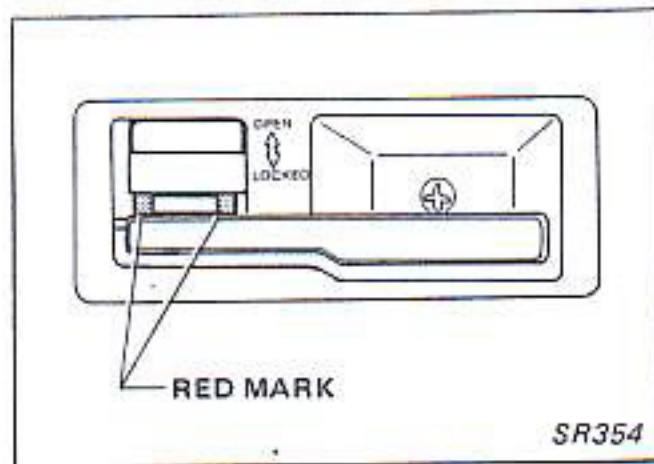


2. Properly align the cutout portion of the sash on the hatch panel with the locating pin of the hook on the vehicle body, and insert the hatch panel into the hook.





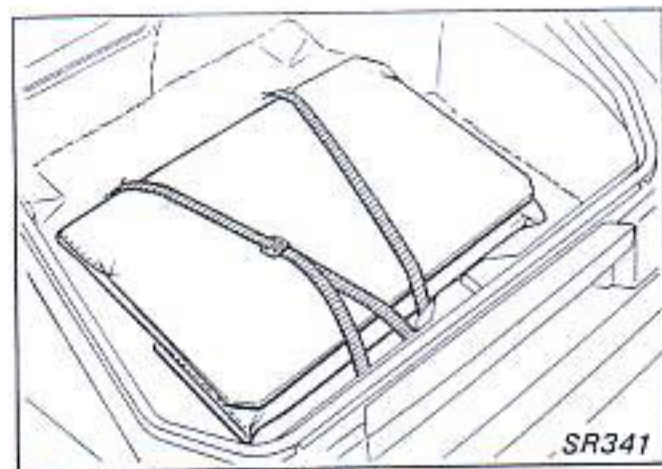
3. To firmly place the hatch panel in position, push the hatch panel towards the middle of the vehicle.
4. Lower the entire hatch panel. While depressing the hatch panel finisher, gradually move the lock lever in the direction that tightens the hatch panel.



Carefully depress the finisher until the sash is even with the height of the vehicle, being careful not to scratch the trim with the lock pin.

5. Gradually move the lock lever towards its lock position until the knob "clicks".

After the hatch panel has been properly installed, ensure that the lock knob covers the "RED" marks.

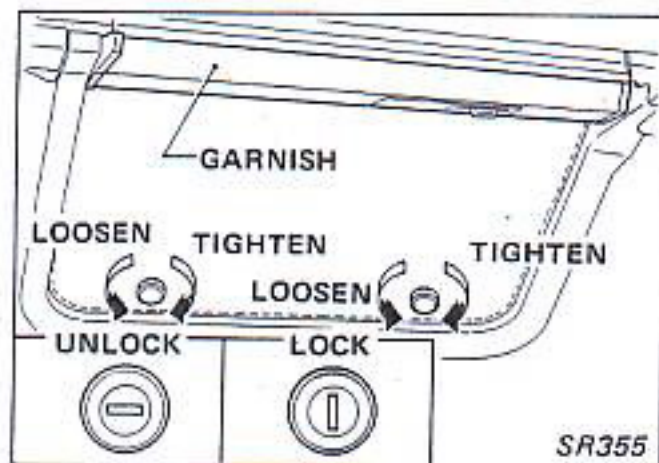


## STORING OF PANELS

After removing the hatch panel, store it in the luggage compartment according to the following procedures:

1. Insert the hatch panel into its protective bag.
  2. Securely fasten the hatch bag using the baggage straps.
- To correctly store the left and right hatch panels, place one hatch panel over the other with their locks positioned symmetrically to prevent scratching the panels.
  - Do not place any heavy objects or items which have pointed corners or sharp edges on the stored panels.

## REAR HATCH AND FUEL FILLER LID OPENER



### SUN SHADE PLATE (Except Europe)

#### Removal

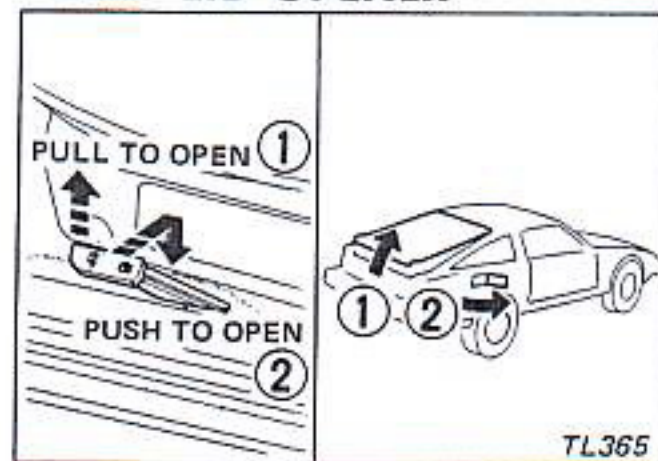
1. Loosen the bolts while holding on to the sun shade plate.
2. Unfasten the hooks on the sun shade plate from the holders.

#### Installation

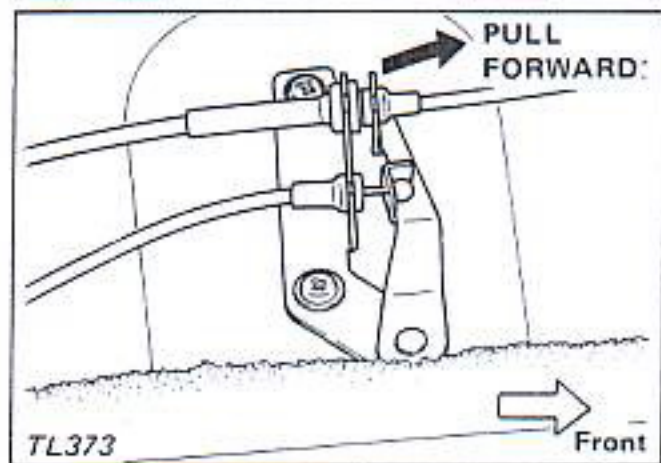
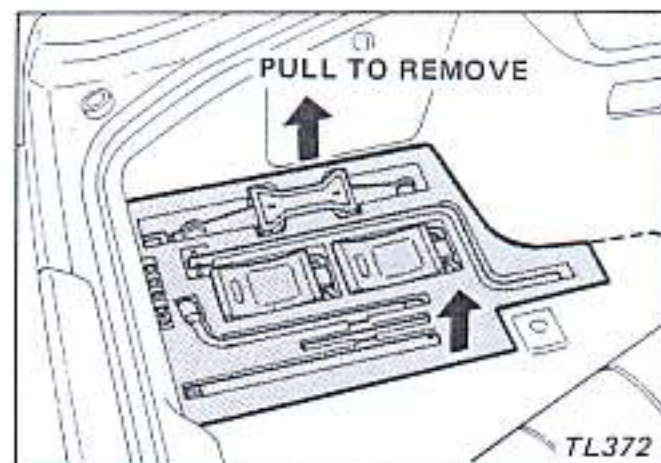
1. Insert the outside edge of sun shade plate into the garnish.
2. Align two bolts on inside of sun shade plate with locknuts and then securely tighten the bolts.

#### CAUTION:

Do not attempt to remove the sun shade while the vehicle is in motion.



Turn off the engine while refueling.



### Emergency procedures

When the fuel filler lid opener is inoperative, proceed as follows:

1. Remove the rear floor pad where the tool is located.
2. Move the lever, which is connected to the cable, forward as shown in the figure.

# Starting And Driving

## STARTING THE ENGINE

Do not run the engine in enclosed areas. The engine produces carbon monoxide, and running the engine in a confined area could result in toxicosis.

If you should suspect that exhaust fumes are getting into the passenger compartment, have the vehicle examined and the leakage corrected immediately.

## BEFORE STARTING THE ENGINE

- Make sure the parking brake is applied.
- Place the gearshift lever in "Neutral" (in "N" or "P" position for the automatic transmission). Depress the clutch pedal to reduce drag from the transmission gears.

## TIPS ON STARTING



- Start the engine without depressing the accelerator pedal.
- After starting the engine, release the ignition key.
- Do not run the starter motor continuously for more than 10 seconds. Wait at least 10 seconds before running it again.
- In hot weather, when restarting the engine within 30 minutes after it has been stopped, crank the engine keeping the pedal fully depressed.
- If the engine is hard to start in cold or hot weather, use the accelerator pedal to help start the engine.

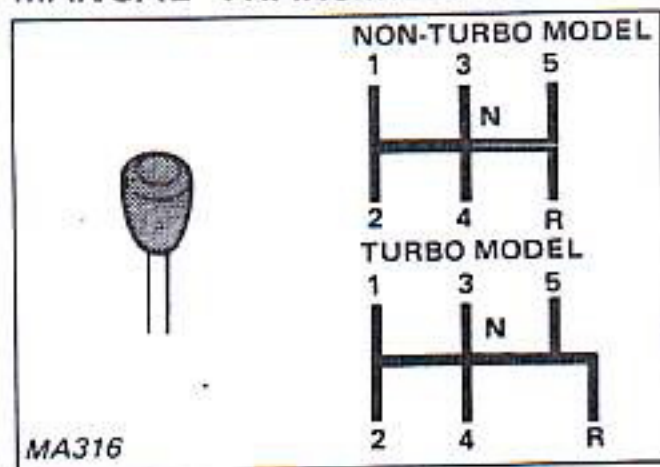
## Turbocharger system

The turbocharger system uses engine oil for lubrication and cooling of its rotating components. The turbocharger turbine turns at extremely high speeds and its temperature can reach extremely high degree. It is essential to maintain a clean supply of oil flowing through the turbocharger system. Therefore, a sudden interruption of oil supply may cause a malfunction in the turbocharger.

To ensure prolonged life and performance of the turbocharger, it is essential to comply with the following maintenance procedure:

1. Change your engine oil every 5,000 km (3,000 miles) or 6 months, whichever comes first. More frequent maintenance may be required under severe driving conditions. Use only the recommended engine oil.
2. If the engine had been operating at high rpm for an extended period of time, let it idle for a few minutes prior to shut-down.
3. Do not accelerate your engine to high rpm immediately after start.

## CHANGING GEAR MANUAL TRANSMISSION



To shift gears, fully depress the clutch pedal and then operate the gearshift lever. When shifting the lever from a Forward gear to Reverse, or from Reverse to a Forward gear, be sure to first bring your vehicle to a complete stop.

On the non-turbo model, you cannot shift directly from 5th gear into Reverse, but must first shift into Neutral, then into Reverse.

Apply the parking brake when at a standstill. When starting to move the vehicle, release the parking brake and drive away.

- Do not use the clutch pedal as a foot rest.
- Never hold the vehicle in position on a steep hill by slipping the clutch.
- To maintain safe speeds on steep down grades and to help save the brakes, shift to a lower gear before you start down.

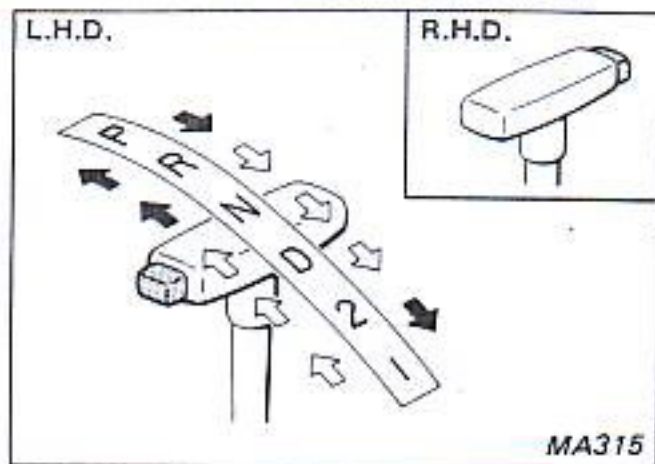
## Recommended shift-up speed

The table below indicates the recommended speeds for shifting up to a higher gear.

Unit: km/h (MPH)

Gear change	5-speed
1 → 2	25 (15)
2 → 3	40 (25)
3 → 4	65 (40)
4 → 5	75 (45)

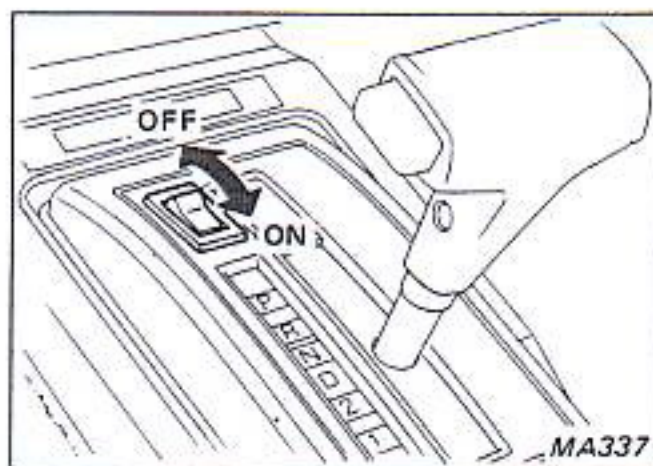
## AUTOMATIC TRANSMISSION



Push the button located on the end of the selector lever when engaging "R" and "P" and when shifting from "2" to "1", as indicated by the arrow "⇒".

The lever can be shifted freely into any position indicated by the arrow "⇔". When shifting the lever from a Forward gear to Reverse, or from Reverse to a Forward gear, be sure to first bring your car to a complete stop.

Shift into "N" position and apply the parking brake when at a standstill. Before moving the vehicle, apply the foot brake and shift into the driving position. This prevents the vehicle from creeping. Release the parking brake and drive away slowly.



### OVERDRIVE CONTROL SWITCH

The overdrive control switch is located on the automatic transmission console. The overdrive indicator light is located on the switch.

- To operate the overdrive gear, push the switch to the "ON" position. With the selector lever in the "D" position, the transmission is upshifted to overdrive as the vehicle increases speed. The light glows when the transmission is upshifted to overdrive.
- When the vehicle is accelerated by operating the "ACCEL" set switch of the cruise control, the transmission is shifted down to third gear even when the overdrive control switch is turned on.

- When the switch is turned off and the select lever is in the "D" position, the transmission is upshifted automatically from 1st to 2nd and to 3rd, but will not be upshifted to overdrive.
- When driving on a long slope such as on mountain roads, turn the overdrive control switch off so that proper acceleration and engine braking can be obtained.
- For normal driving, turn the overdrive control switch on.

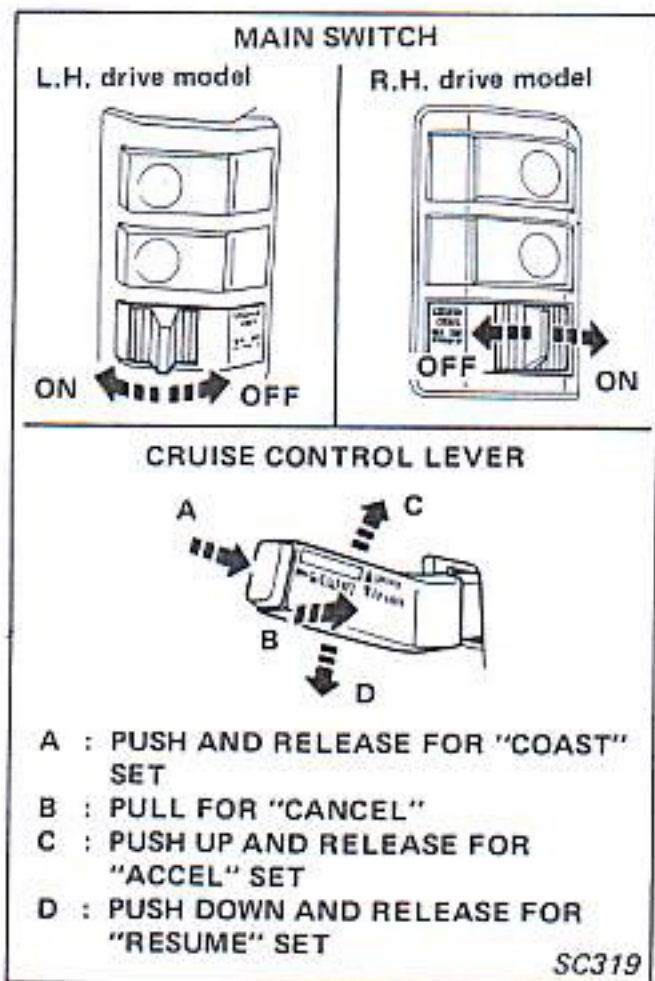
#### CAUTION:

Avoid driving at high speeds for extended periods of time with the overdrive control switch turned off.

## How to operate selector lever

"P" Parking	This position is only used for parking or starting the engine. <b>Never shift into the "P" position unless the vehicle is completely stopped.</b>
"R" Reverse	Use only when the vehicle is backed.
"N" Neutral	Neither forward nor reverse gear is engaged.
"D" Drive	This position is used for forward driving under normal conditions. With the selector lever in this position, the transmission will be automatically shifted between 1st, 2nd and 3rd gears, from starting at a complete stop to high speeds, in response to the depression of the accelerator pedal. When the vehicle is slowing down, the transmission will automatically down-shift.
"2" Second gear	Use the "2" position when starting from a standstill on slippery roads, while climbing hills or for effective engine braking on downhill grades. When the lever is set at this position, the transmission will remain in 2nd gear and it will not automatically shift into other gears. <b>Do not down-shift into the "2" position at speeds over 100 km/h (62 MPH). Do not exceed 100 km/h (62 MPH) in the "2" position.</b>
"1" First gear	The "1" low gear is helpful for driving up very steep hills and for braking the vehicle on downhill roads. When down-shifting into the "1" position, move the selector lever from "D" to "2" and then to "1". <b>Do not shift into the "1" position at speeds over 100 km/h (62 MPH). Do not exceed 60 km/h (37 MPH) in the "1" position.</b>
Accelerator down-shift - In "D" position -	You can get extra power and acceleration for rapid passing or hill climbing by completely depressing the accelerator to down-shift the gears. The accelerator down-shift makes the transmission down-shift into second gear when driving below 95 km/h (60 MPH) and into first gear when driving below 45 km/h (28 MPH).

## CRUISE CONTROL



The cruise control system automatically maintains a desired vehicle speed within a range of approximately 48 to 160 km/h (30 to 99 MPH) without the necessity of operating the accelerator pedal.

1. To operate the cruise control, push the main switch to the "ON" position.

(The "ON" pilot light on the combination meter panel will illuminate.)

And to set the vehicle at the speed you desire, depress the accelerator pedal and, when the vehicle attains the desired speed, momentarily press the "COAST" set switch.

The vehicle will then automatically maintain the desired cruising speed.

(The "CRUISE" pilot light on the combination meter panel will illuminate.)

2. To increase the vehicle speed, briefly depress the accelerator pedal. When the pedal is released, the vehicle will return to the cruising speed selected prior to acceleration.

3. To reset at a faster cruising speed, proceed with either of the following two methods. The vehicle will then automatically maintain the newly selected speed.

a) Depress the accelerator pedal and, as the vehicle attains the desired speed, momentarily press the "COAST" set switch or push the cruise control lever up.

b) Keep pushing the cruise control lever up, allowing the vehicle to accelerate without depressing the accelerator pedal. When the vehicle attains the desired speed, release the cruise control lever.

4. To reset at a slower cruising speed, proceed with either of the following two methods. The vehicle will then automatically maintain the newly selected speed.

a) Depress the brake pedal and, as the vehicle attains the desired speed, momentarily press the "COAST" or push the cruise control lever up.

b) Keep pressing the "COAST" set switch, allowing the vehicle to decelerate without depressing the brake pedal. When the vehicle attains the desired speed, release the set switch.

5. To disengage the cruise control, proceed with either of the following two methods.

a) Lightly depress the brake pedal or pull the cruise control lever.  
(The "CRUISE" light will go out.)

b) Turn the main switch off.  
(Both "CRUISE" and "ON" lights will go out.)

- The cruise control will automatically be released if the vehicle slows down to a speed which is 10 to 20 km/h (6 to 12 MPH) or more below the pre-set cruise speed.
  - On the manual transmission model, the cruise control will automatically be released when the clutch pedal is depressed. Never shift the transmission without depressing the clutch.
  - On the automatic transmission model, the cruise control will automatically be released by shifting the control lever into the "N" range.
  - If the brake pedal is depressed while pushing the cruise control lever up, the vehicle speed cannot be set until the main switch is turned "OFF" and then "ON".
6. To resume the speed selected prior to disengagement of the cruise control by pulling the cruise control lever, depressing the brake or clutch pedal, or by shifting into "N" range on an automatic transmission model, push down and release the cruise control lever.
- The vehicle will then automatically return to the speed and maintain it.

- If the vehicle speed is below 48 km/h (30 MPH) immediately before the "resuming" operation, the "resuming" function will not operate.
- When the cruise control lever is kept pushed down, the vehicle will decelerate. When the cruise control lever is released, the "resuming" function will start to operate.

#### CAUTION:

- Avoid using the cruise control system in areas where road conditions and/or weather elements are not suitable, as in congested areas, very curvy or hilly roads with a short field of vision, slippery roads (rain, snow, ice, etc.), very windy areas, etc.
- During cruise-speed driving, keep your foot off the accelerator pedal to permit movement of the accelerator pedal.
- On the manual transmission model, if the transmission is put into the neutral position without the clutch being depressed, and the cruise control is left on, the engine will race and damage will result.



## **PARKING**

### **BEFORE LEAVING YOUR VEHICLE**

1. Set the parking brake.
2. **Manual transmission models:**  
Place the gearshift lever in the "Reverse" position.

When parking on an uphill grade, place the gearshift lever in the "1st" position.

**Automatic transmission models:**

Place the gearshift lever in the "P" position.

3. Turn the ignition key to the "LOCK" position.
4. Remove the ignition key.
5. Lock all doors.

**Never leave an unattended vehicle with its engine running.**

**Never leave children unattended in vehicle.**

## **TIPS ON DRIVING**

### **ECONOMY HINTS**

- Avoid sudden acceleration or deceleration.
- Always operate your vehicle with the gearshift lever set at a position appropriate for the vehicle's speed.
- Maintain a safe distance behind other vehicle, and avoid sudden stops.
- Do not pump the accelerator.
- Excessive engine idling wastes fuel.
- Keep the recommended tire pressure.
- Keep your engine tuned-up and follow the maintenance schedule.
- Regularly check tire condition.
- Use the air conditioner only when necessary.

### **WET BRAKES**

When the vehicle is washed or driven under extremely wet or muddy conditions, or in water or mud, the brake linings and/or pads sometimes get wet. Gently apply the brakes several times as the vehicle is moving slowly to dry the linings and/or pads. Do not drive the vehicle at high speeds until the brakes are functioning correctly.

### **STARTING OFF ON SLIPPERY ROADS**

When rain or snow makes the road slippery, use low gear ("2" for the automatic transmission model) and slowly depress the accelerator pedal. Do not depress the pedal suddenly.

### **DRIVING ON SLIPPERY ROADS**

When driving on wet, icy or slippery roads, turn the steering wheel gently, and use the brakes only very lightly.

### **FREEING A FROZEN DOOR LOCK**

To prevent a door lock from freezing, apply de-icer or glycerin to it through the key hole.

### **REPLACING LUBRICANT**

Always use the proper grade of lubricant, which varies depending upon the ambient temperature.

## **IN COLD WEATHER**

### **Anti-freeze**

Add the correct amount of anti-freeze solution to the engine coolant, varying according to the ambient temperature.

### **Battery**

If the battery is not fully charged, the battery fluid may freeze. It is therefore advisable to fully charge the battery at the beginning of each winter season.

### **Tire equipment**

Before starting off over icy or snowcovered roads, it is recommended that snow tires be installed on all four wheels.

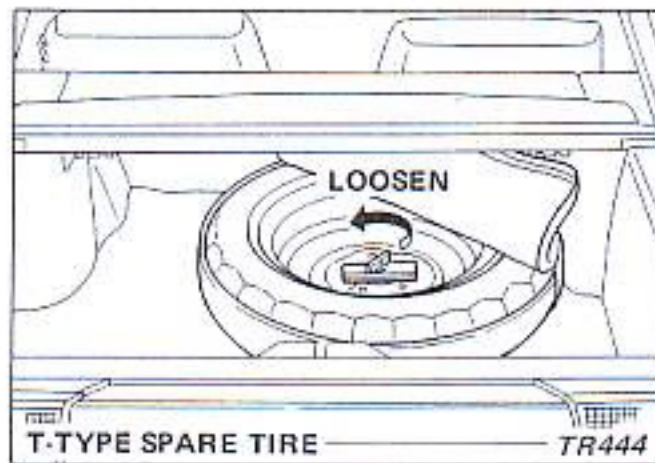
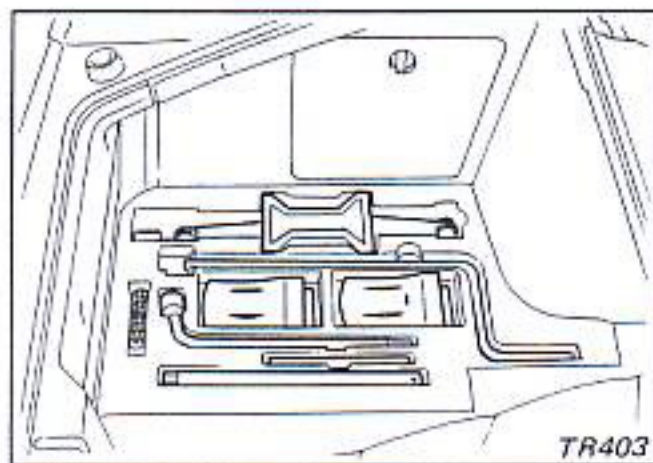
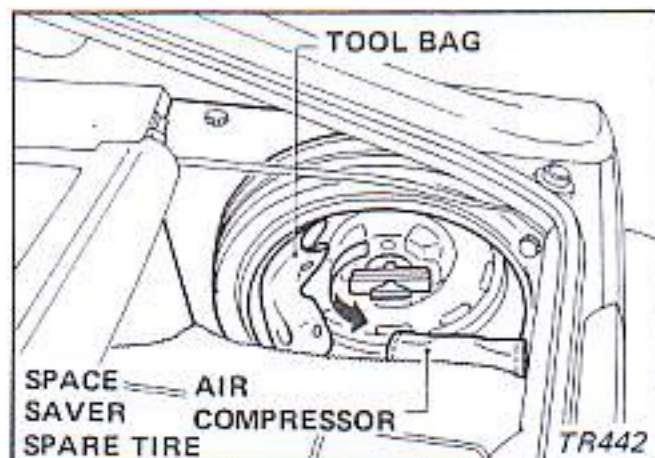
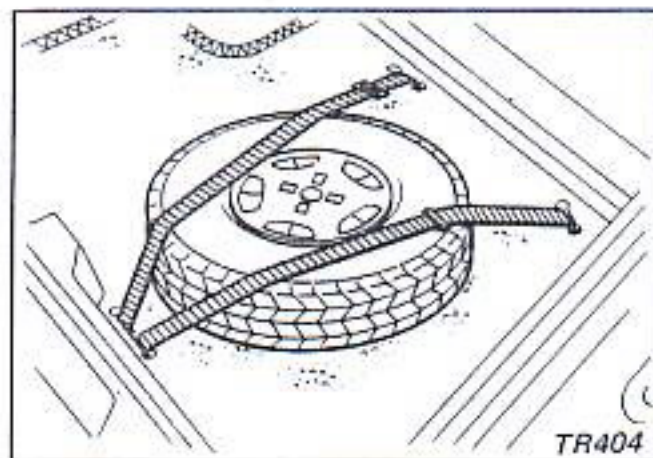
### **Snow chain**

- When it is necessary to use snow chains, install them on the drive wheels.
- For installation procedures, follow the instructions which are attached to the chains.
- Always comply with local laws or regulations applicable to the installation of snow chains.



# In Case Of Emergency

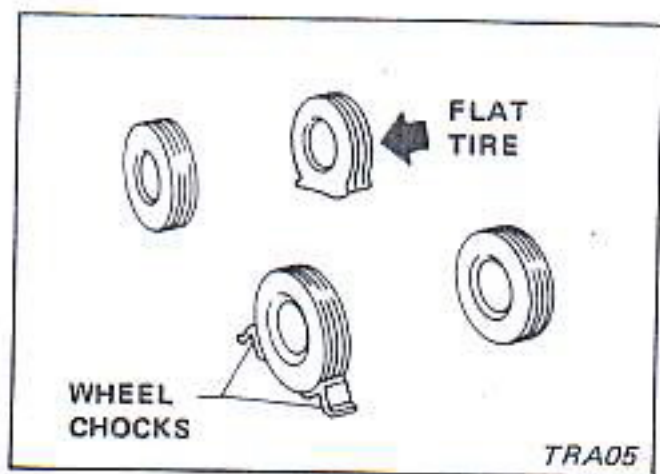
## TOOLS AND SPARE TIRE



Remove the tire located in the luggage compartment.

- The vehicle which uses TD RUNFLAT tires is not equipped with a spare tire.
- On vehicles equipped with an anti-lock brake system, do not remove the trim from the right side of the luggage compartment. This is because control units for the anti-lock brake are stored there. If tools or anything are put there, it might cause the control units to malfunction.

## FLAT TIRE

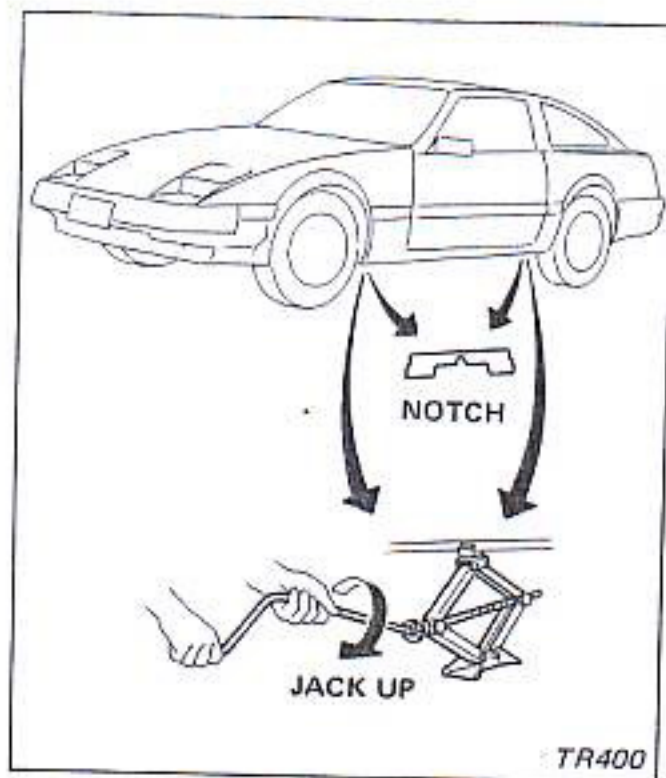


Move the vehicle off the road.

1. Park on a level surface and set the parking brake. Put manual transmission in reverse (automatic transmission in "P").

Never change tires when the vehicle is on a slope as this is dangerous.

2. Turn on the hazard warning flasher.
3. Place wheel chocks at both the front and back of the wheel diagonally opposite the flat tire.
4. Place the jack directly under the jack-up point.

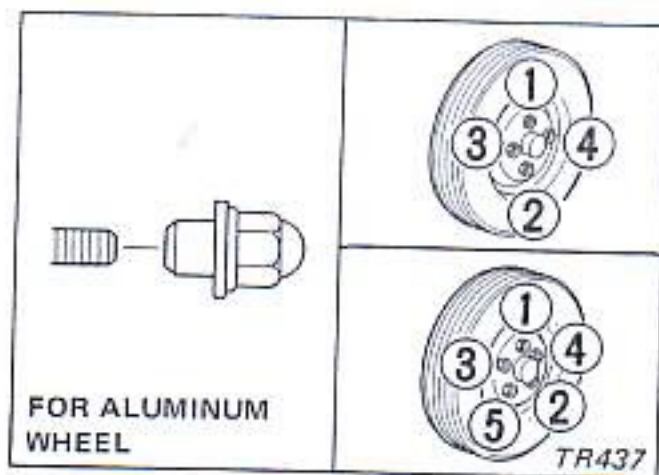


5. Loosen the wheel nuts one or two turns each by turning them counterclockwise with the wheel nut wrench.

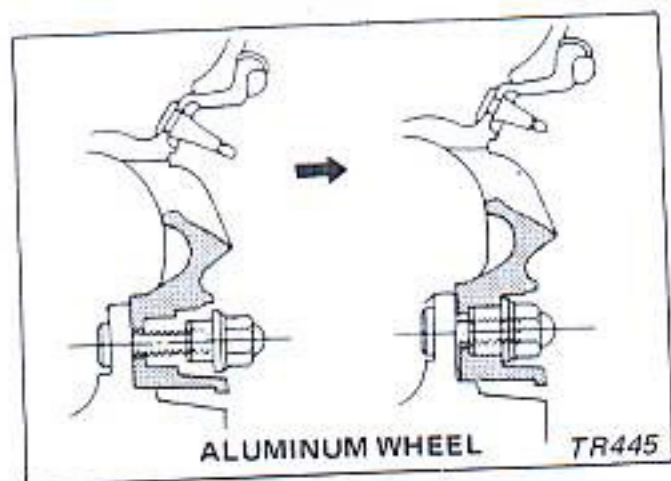
Do not remove the wheel nut until the wheel is raised off the ground.

6. Raise the vehicle slowly until the wheel clears the ground. Remove the wheel nuts and replace the wheel.

Never get under the vehicle while it is supported only by the jack.



- 7.
- 1) Install nuts after the wheel is positioned. Use only wheel nuts designed for aluminum wheels.
- 2) Slightly pull the wheel back to properly align nuts with bolt holes in the wheel, and tighten the wheel nuts alternately and evenly.
8. Lower the vehicle slowly until the wheel touches the ground, and then tighten the wheel nuts to the specified torque in the same sequence.



- Adjust tire pressure to the specified value.
- Be sure to check the wheel nuts for tightness, after the aluminum wheel has been run for the first 1,000 km (600 miles) (also in cases of repairing flat tires, tire rotation, etc.). Retighten if necessary.

## TD RUNFLAT TIRE

If a TD RUNFLAT tire is punctured while you are driving, you will not experience a sudden loss of steering control. Instead, your vehicle will be able to take you to the nearest service station, where the punctured tire can be repaired or replaced. Since a spare tire is unnecessary, the vehicle is not provided with one.

If a tire is punctured, the handling of the vehicle will change and some or all of the following symptoms will be apparent:

- Steering wanders
- Steering pulls to one side
- Additional steering effort required
- Slight change of steering wheel angular position
- Noise
- Vibration
- Slightly harsher ride

Impending tire failure should be indicated by the occurrence of one or more of the above symptoms, probably accompanied by noticeable odor.

- While a punctured TD RUNFLAT tire is being used, before it has been repaired, avoid severe cornering, except in an emergency.
- Repair a punctured tire, on a specific

repair basis, as soon as you can in order that the remaining "run flat" capability will be preserved for future use.

Any Dunlop tire dealer will be pleased to assist if replacement or repair of a damaged tire is required.

- The TD tire must only be fitted to a TD wheel. Never fit a conventional tire to this TD wheel.
- In the event of an ordinary puncture, the tire will usually seal itself, with slight re-inflation resulting. In this situation, the tire will be able to travel a **TOTAL RUNFLAT DISTANCE** of about 160 km (100 miles) at a maximum speed of 80 km/h (50 MPH).
- If the tire has sustained serious damage, such as a slash in the sidewall, the distance which can be traveled will be limited to a maximum of 80 km (50 miles) with a maximum speed of 65 km/h (40 MPH).

## TD tire service

If any difficulties in obtaining service are encountered, help is available 24 hours a day from the Dunlop Customer Service Department by telephoning "FREEFONE 4000". No charge is made for this service.

## Continental touring

If you experience a tire problem when traveling in continental Europe that cannot be simply resolved locally, all that is required is a single telephone call to Europe Assistance. Their headquarters, manned by fully experienced multi-lingual staff will liaise with the Dunlop service center nearest to you, arrange for assistance as required and return your call to keep you fully informed of arrangements made.

Emergency helps from Europe Assistance is obtainable as follows:

Telephone: (1) 686 0102

Telex: 947736 EURA UK

Telegrams: EURASSIST CROYDON  
ENGLAND

Service is not available outside Western Europe at present. If you are visiting other countries, contact the Dunlop Customer Service Department, Birmingham B24 8QT., telephone 021-384 6060 which will arrange for the supply of a spare tire and wheel unit.

For TD tires, as for normal tires, regular maintenance is essential. Check regularly for damage and ensure that correct inflation pressures are maintained.

## SPACE SAVER SPARE/ FOLDABLE SPARE (Fold Flex Favorite) TIRE

The spare tire is restricted in driving speed up to a maximum of 80 km/h (50 MPH) and must be used only for short distances and emergencies.

Replace the spare with the conventional tire as soon as possible.

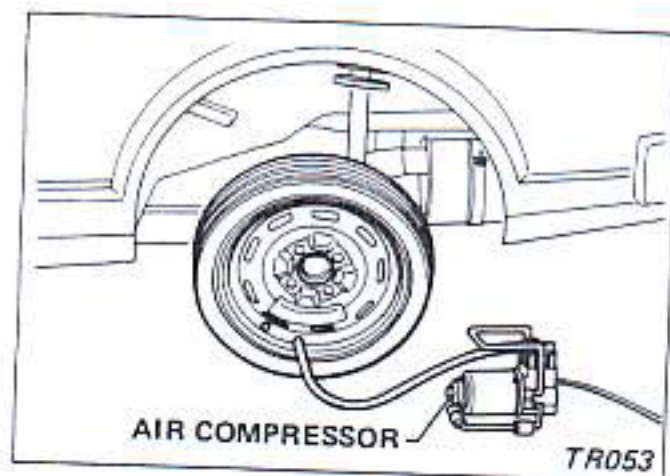
### Inflation with approved inflator

1. Before changing tires, carefully read the warning and directions affixed on both the inflator and the spare tire.
2. Mount the spare tire on the axle before inflating the tire. (Tighten wheel nuts slightly.)

**If your vehicle is equipped with aluminum wheels, be sure to use the spare tire wheel nuts located on the luggage floor. Never use the wheel nuts for aluminum wheels on the spare tire wheel.**

3. Connect the air compressor hose securely in its place.
4. Connect the power cord plug of the air compressor to the cigarette lighter socket.

The spare tire may be inflated to the



recommended pressure 2.0 kg/cm<sup>2</sup> (200 kPa, 2.0 bar, 28 psi), in about 6 minutes.

5. Adjust the tire pressure according to the tire placard with tire pressure gauge.
  - If the air compressor operates slowly, run the engine while the air compressor is operating.
  - Do not run the engine in enclosed areas or while the vehicle is jacked up.
  - Do not touch the air compressor with bare hands while it is operating as it becomes quite hot.
6. Disconnect the power cord plug from socket. Check the tire for air leakage, and then securely install and tighten the valve cap.

7. Tighten wheel nuts securely.

- Do not install the wheel cover on the spare tire.
- When stowing a tire which has been replaced by a spare, the tire should be placed in the luggage area and secured with luggage straps.

### Deflation

1. Deflate the tire by either depressing the button on the tire inflation valve or by removing the valve core.

To avoid personal injury, do not inhale the gas which is vented while the tire is deflating.

2. Flatten tire. The spare tire folds gradually while deflating.

### Repair

Repairing, mounting, or dismounting of the spare tire on the wheel is not recommended under any circumstance.

Improper service can result in serious personal injury.

Contact authorized B.F. Goodrich dealer, authorized Bridgestone or NISSAN/DATSUN dealers if service is required.

### T-TYPE SPARE TIRE

- Periodically check tire inflation pressure, and always keep it at 4.2 kg/cm<sup>2</sup> (412 kPa, 4.12 bar, 60 psi).
- Do not drive your vehicle at speeds faster than 80 km/h (50 MPH).
- The T-type spare tire is designed only for temporary use as a spare. Dismount it and keep it as a spare as soon as the standard tire repair has been completed.
- Do not attach a tire chain.
- Do not use the T-type spare tire on other vehicles.
- Do not make a sharp turn, or apply the brake suddenly while driving.
- As soon as the tread wear indicator becomes visible, replace the tire with a new one.
- Mounting and dismounting to and from the road wheel can be carried out in the same manner as any ordinary tire.
- Use of wheel balance is unnecessary.
- If your vehicle is equipped with aluminum wheels, be sure to use the spare tire wheel nuts in the tool bag. Never use the wheel nuts for aluminum wheel on the spare tire wheel.

### OVERHEATS

Drive the vehicle off the road, put the transmission in "Neutral" (automatic transmission in "P" position) and lift the hood. If the air conditioner is on, turn it off. Do not turn off the engine.

Visually inspect belts for damage or looseness and check the cooling system for leakage.

Be careful not to allow your hands or clothing to come into contact with the running fan or belts.

If engine overheating has not been caused by a faulty cooling system, the coolant temperature will drop after the engine has run at idle for several minutes. After the engine has cooled down, add coolant as necessary.

Never remove the radiator cap while the engine is still hot.

If the coolant is leaking or the fan belt is damaged or loose, have your vehicle checked at a NISSAN/DATSUN dealer.



## PUSH STARTING

### MANUAL TRANSMISSION

If you cannot start the engine in the normal manner, it can be started by pushing your vehicle.

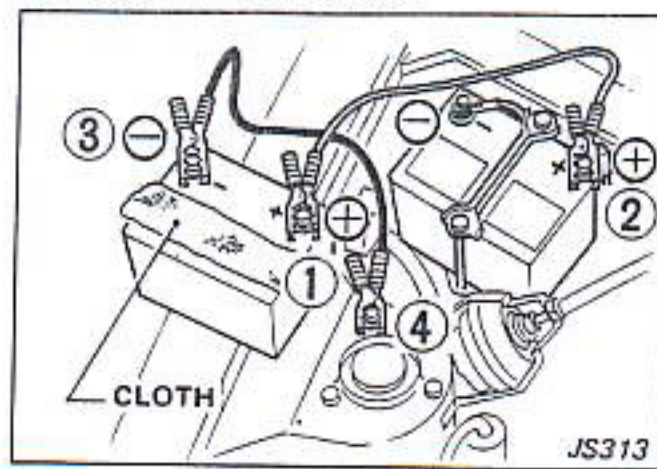
**Never try to start the vehicle by towing it; when the engine starts, the forward surge could cause the vehicle to collide with the tow vehicle.**

1. Before the push begins, turn the ignition key to "ON".
2. Place the shift lever in second or third gear, and keep the clutch pedal fully depressed.
3. Depress the accelerator pedal about halfway.
4. When the vehicle reaches a speed of about 16 km/h (10 MPH), slowly release the clutch pedal to start the engine.

### AUTOMATIC TRANSMISSION

Vehicles with automatic transmissions cannot be started by pushing. Attempting to do so will result in damage to the transmission.

## JUMP STARTING WITH BOOSTER BATTERY



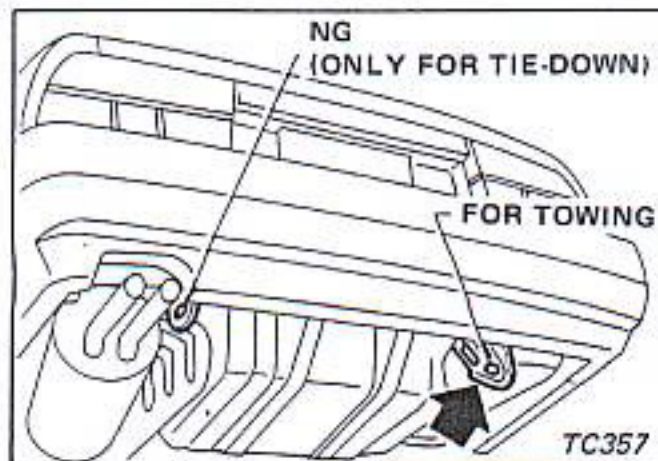
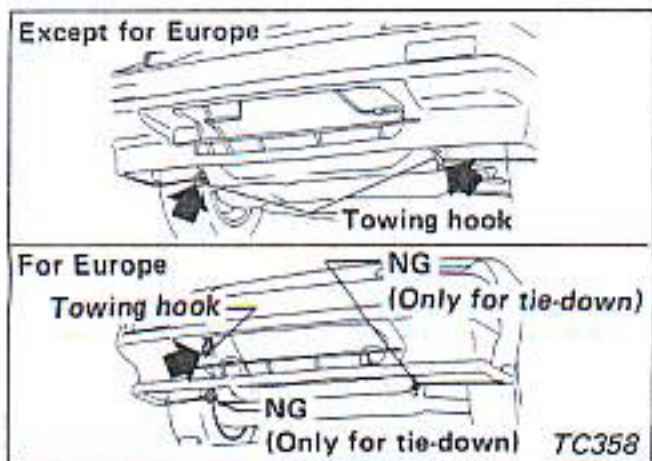
**The voltage of the booster battery must be 12 volts, D.C.**

1. To reduce the danger of an exploding battery, remove the vent caps from both batteries and place a cloth over the open vent wells. (except maintenance-free battery)
2. Connect the jumper cables in the numerical order indicated in the figure.

**Never incorrectly connect the cables. An incorrect connection could cause damage to the charging systems of both vehicles.**

3. Start the engine of the other vehicle. After letting it run for a few minutes, start your engine in the normal manner.
4. Once you have your engine running disconnect the jumper cables, using the reverse of the connection procedure.

## TOWING



The towing hook should be used only for short distances.

When towing, observe local towing laws.

- **Tie-down hooks should not be used for towing.**
- Insure that the transmission, and axles are in good working order. If any unit is damaged, a dolly must be used.
- Release the parking brake and set the gearshift lever at "**Neutral**" (Automatic transmission in the "**N**" position).
- The ignition key must remain in the "**OFF**" position to prevent the steering mechanism from locking.

If necessary, turn on ignition to operate turn signals, stop lights, etc.

### AUTOMATIC TRANSMISSION

If the vehicle is towed with the rear wheels touching the ground, do not either exceed 30 km/h (20 MPH) or a maximum towing distance of 30 km (20 miles).

If the vehicle is to be towed more than 30 km (20 miles) or the transmission is inoperative, the vehicle should be towed with the rear wheels raised off the ground.





# Maintenance Schedule

Before delivery of your new vehicle, your dealer provides a pre-delivery inspection and adjustment service specified by the factory and designed to ensure satisfactory performance.

The following tables list the periodic maintenance servicing required to ensure quality engine and emission control system performance, and good mechanical condi-

tion of your new NISSAN, and these matters should be attended to by a NISSAN/DATSUN dealer.

**The first 1,000 km (600 miles) of service is one of the most important service periods and is vital to ensure the optimum condition of your new NISSAN.**

Periodic Maintenance beyond the last period shown on the tables requires similar maintenance.

If maintenance service is required, if your vehicle appears to malfunction, or if the idle-adjustment is incorrect, have the systems checked and tuned by an authorized NISSAN/DATSUN dealer.

## MAINTENANCE OPERATION

Periodic maintenance should be performed at number of kilometers (miles) or months, whichever comes first

Number of kilometers in thousands (Number of miles in thousands)	MAINTENANCE INTERVAL									
	1	10	20	30	40	50	60	70	80	
	(0.6)	(6)	(12)	(18)	(24)	(30)	(36)	(42)	(48)	
Number of months	—	6	12	18	24	30	36	42	48	

## UNDERHOOD MAINTENANCE

Check drive belts for cracks, fraying, wear & tension		X		X		X		X		X
Change engine oil (Use recommended oil shown in the "Specification" section)	Non-turbo models	(1)	X	X	X	X	X	X	X	X
	Turbo models	(1)	Every 5,000 km (3,000 miles) or 6 months							
Change engine oil filter		(1)	X	X	X	X	X	X	X	X
Change engine anti-freeze coolant (Ethylene glycol base)						X				X
Change engine coolant (Soft water)			X	X	X	X	X	X	X	X
Check cooling system				X		X		X		X

**NOTE: (1) Under severe driving conditions such as driving mainly short distances, city driving and driving under dusty conditions, change the following.**

- Engine oil (Non-turbo models) and filter: Every 5,000 km (3,000 miles) or 3 months, whichever comes first.
- Engine oil (Turbo models): More frequently.

Check: Check, correct-replace if necessary.

**MAINTENANCE OPERATION**

Periodic maintenance should be performed at number of kilometers (miles) or months, whichever comes first

Number of kilometers in thousands (Number of miles in thousands)	MAINTENANCE INTERVAL									
	1	10	20	30	40	50	60	70	80	
	(0.6)	(6)	(12)	(18)	(24)	(30)	(36)	(42)	(48)	
Number of months	—	6	12	18	24	30	36	42	48	

**UNDERHOOD MAINTENANCE (Continued)**

Check & adjust idle rpm & mixture ratio (Check mixture ratio only on models bound for areas affected by emission regulations)		X	X	X	X	X	X	X	X	X
Replace fuel filter						X				X
Check fuel system						X				X
Replace air cleaner filter (Viscous paper type)	(2)					X				X
Clean & replace air cleaner filter (Dry paper type) (Saudi Arabia only)	Clean	(2)	X	X	X		X	X	X	
	Replace	(2)				X				X
Adjust ignition timing			X	X	X	X	X	X	X	X
Check & replace spark plugs	Check		X		X		X		X	
	Replace			X		X		X		X
Check ignition wires						X				X
Check positive crankcase ventilation (P.C.V.) system				X		X		X		X
Check vacuum fitting hoses & connections				X		X		X		X
Check vapor lines (Hoses, connections, etc.) (Saudi Arabia only)						X				X
Replace carbon canister filter (Saudi Arabia only)						X				X
Check brake, clutch & automatic transmission fluid level & leaks			X	X	X	X	X	X	X	X
Change brake fluid	(3)					X				X
Check brake booster vacuum hoses, connections & check valve						X				X
Check power steering fluid & lines			X	X	X	X	X	X	X	X

**NOTE: (2) Under dusty driving conditions, more frequent maintenance should be necessary.**

**(3) When driving in high humidity areas or in mountainous areas, change every 20,000 km (12,000 miles) or 12 months, whichever comes first.**

Check: Check, correct-replace if necessary.

MAINTENANCE OPERATION	Number of kilometers in thousands (Number of miles in thousands)	MAINTENANCE INTERVAL									
		1 (0.6)	10 (6)	20 (12)	30 (18)	40 (24)	50 (30)	60 (36)	70 (42)	80 (48)	
Periodic maintenance should be performed at number of kilometers (miles) or months, whichever comes first	Number of months	—	6	12	18	24	30	36	42	48	

### UNDER VEHICLE MAINTENANCE

Check brake, clutch, fuel & exhaust systems for proper attachment, leaks, cracks, chafing, abrasion, deterioration, etc.			X	X	X	X	X	X	X	X
Check oil level in manual transmission & differential gear	(4)		X	X	X	X	X	X	X	X
Check steering gear & linkage, suspension parts, propeller shaft & rear drive shafts for damaged, loose & missing parts & lubrication	(5)	X		X		X		X		X

### OUTSIDE AND INSIDE MAINTENANCE

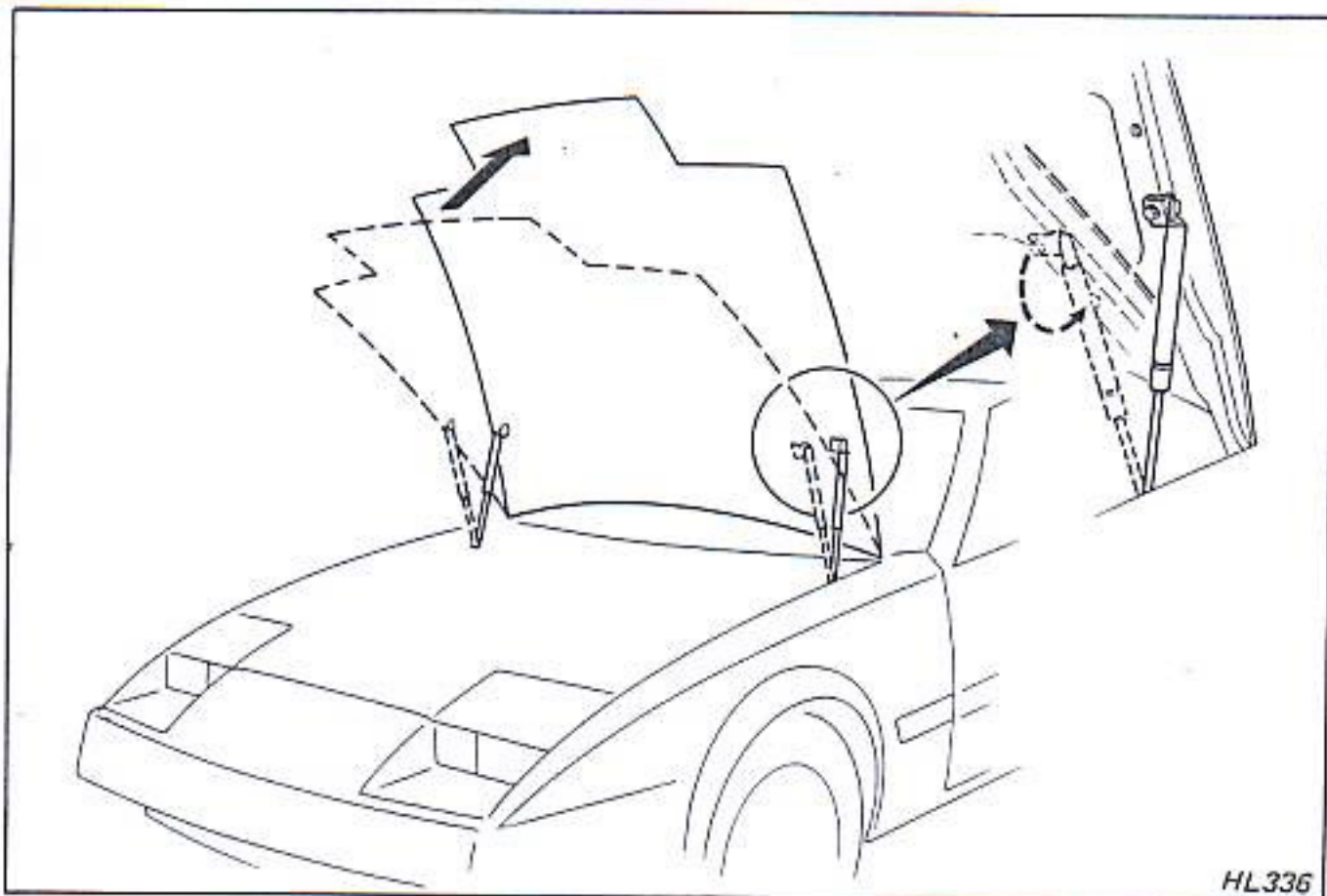
Check tire condition		X								
Check wheel alignment. If necessary, rotate & balance wheels				X		X		X		X
Check disc brake pads & other brake components for wear, deterioration & leaks	(6)		X	X	X	X	X	X	X	X
Check front wheel bearing grease						X				X
Lubricate locks, hinges & hood latch	(6)		X	X	X	X	X	X	X	X
Check seat belts, buckles, retractors, anchors & adjuster				X		X		X		X
Check foot brake, parking brake & clutch for free play, stroke & operation		X	X	X	X	X	X	X	X	X

- NOTE:** (4) When towing a trailer, change oil in differential gear every 40,000 km (24,000 miles) or 24 months, whichever comes first.
- (5) Under the following driving conditions, check every 10,000 km (6,000 miles) or 6 months, whichever comes first.
- Driving in areas using salt or other corrosive materials
  - Driving on muddy roads
  - Driving in the desert
- (6) When driving in areas using salt or other corrosive materials, check or lubricate every 5,000 km (3,000 miles) or 3 months, whichever comes first.

The above charts show the normal maintenance schedule. Depending upon weather and atmospheric conditions, varying road surfaces, individual driving habits and vehicle usage, additional or more frequent maintenance may be required.

# Do-It-Yourself

## HOOD



The hood can be opened further than normal in order to better facilitate the maintenance of the engine. Open the hood, remove the bolts securing the stay to the hood, and install the stay in the lower hole provided.

- For safety's sake, it is recommended that this operation be performed by two persons.
- Before closing the hood, be sure to reinstall the stay in the regular mounting hole. Failure to do so can damage the stay or hood.

When performing any inspection or maintenance work on your vehicle, always exercise care to prevent injury. The following are general precautions to follow when engaged in any servicing operation.

- Do not work on the engine while it is hot.
- If you must work with the engine running, keep your hands, clothing, hair and tools away from moving fan and drive belts.
- When the ignition key is in the "ON" or "ACC" position, the cooling fan may start to operate suddenly even when the engine is not running. This is because the cooling fan operation is controlled by the coolant temperature or air conditioner operation. Be sure to turn the ignition key to the "OFF" or "LOCK" position.
- On models equipped with an auxiliary fan in the engine compartment, the fan may come on as the ignition key is turned off when the coolant temperature is high. The fan may stay on for about 15 minutes after the ignition key is turned off.
- Never get under the vehicle while it is supported only by a jack.

## ENGINE COOLANT

- Do not smoke or jump sparks near gasoline or battery.
- Never connect or disconnect either the battery or any transistorized component while the ignition key is on.
- When adding/replacing oil or fluid, always use the one designated in the Specifications section.

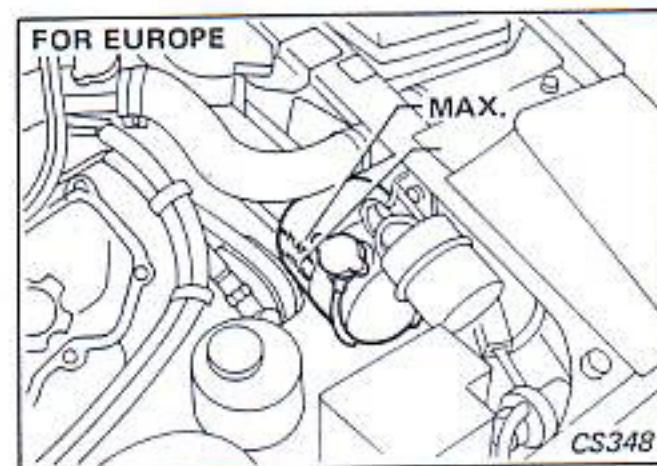
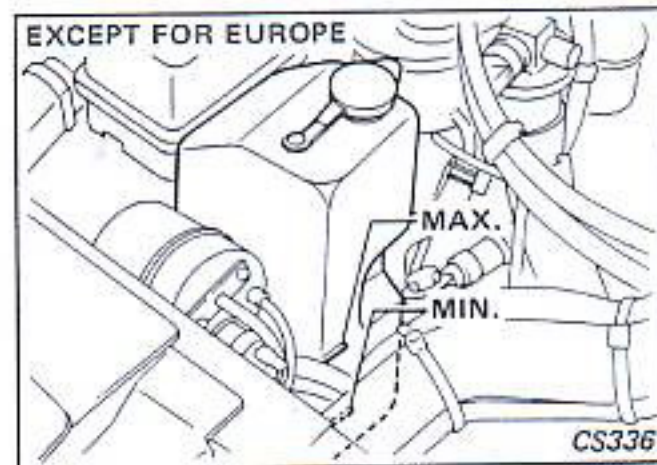
Be aware that incomplete or improper servicing may result in operating difficulties. If in doubt about any servicing, have it done by a NISSAN/DATSUN dealer.

### Coolant mixture ratio

Outside temperature down to		Anti-freeze	Soft water
°C	°F		
-15	5	30%	70%
-35	-31	50%	50%

If the ambient temperature is anticipated to drop below 0°C (32°F), use the proper mixture of anti-freeze coolant (ethylene glycol base) corresponding to the lowest anticipated temperature.

Use soft water only. Add rust inhibitor where anti-freeze is not used.



### COOLANT LEVEL

Never remove the radiator cap when the engine is hot; serious burns could be caused by high pressure fluid escaping from the radiator.



Inspect the amount of coolant in the reservoir tank while the engine is cold. If the coolant level is below the "MIN" level, add coolant to the "MAX" level. If the reservoir tank is empty, check the coolant level in the radiator. If there is insufficient coolant in the radiator, pour coolant into the radiator bringing the level up to the cap. Also pour it into the reservoir tank bringing it up to the "MAX" level.

## CHANGING ENGINE COOLANT

- Your NISSAN/DATSUN dealer is best qualified to change the coolant for you. If you have to perform it by yourself, be sure to observe the following procedures:

- To avoid the danger of being scalded, never attempt to change the coolant when the engine is hot.

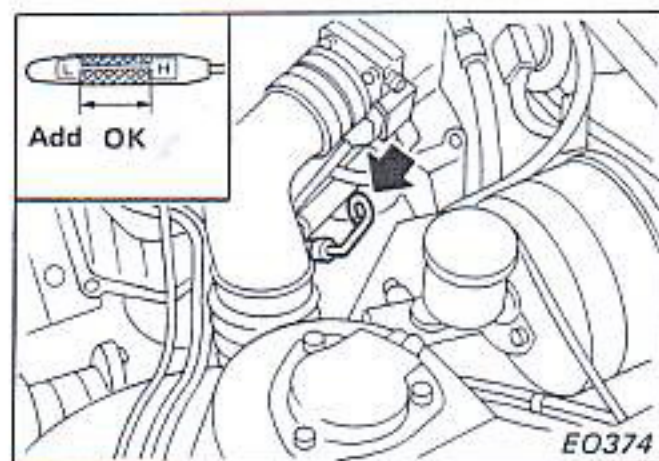
1. Move the temperature control lever of the heater or air conditioner control to the maximum hot position.
2. Open the coolant filler cap and drain valve of the radiator to drain the coolant. Open the drain cocks on the left and right sides of the engine block,

Then flush the cooling system.

3. Close the drain valve and drain cocks securely.
4. **Slowly pour coolant through the coolant filler neck, to allow air in the system to escape.** Fill the radiator and engine with new coolant up to the filler opening. Fill the reservoir tank up to the "MAX" level. Then put on the coolant filler cap.
5. Run the engine at approximately 2,000 rpm for about one minute.
6. Stop the engine and after it completely cools down, refill the radiator and engine up to the filler opening. Fill the reservoir tank up to "MAX" level.
7. Put on the coolant filler cap and check the drain valve and drain cocks for any sign of leakage.

**After replacing the coolant, be sure to check the coolant level of reservoir tank some time after the engine has cooled. Add coolant if necessary.**

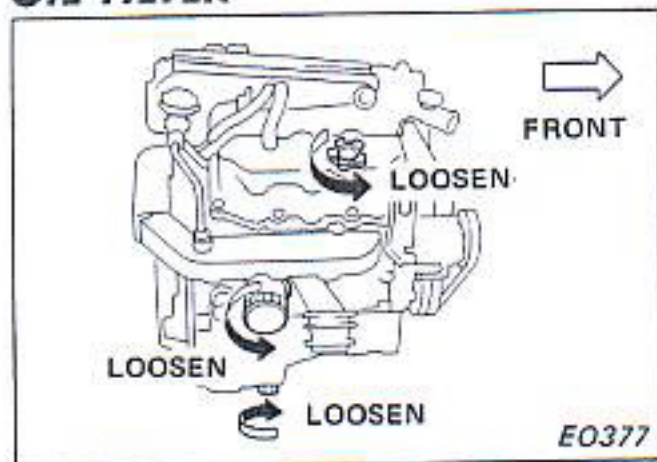
## ENGINE OIL LEVEL



If the engine has reached operating temperature, check the oil level waiting a few minutes after the engine has been turned off to drain oil back into the oil pan.

1. Park the vehicle on a level surface.
2. Remove the dipstick and wipe it clean with lint-free paper.
3. Reinsert the dipstick and remove it.
4. The oil level should be between the "H" and "L" marks. If the oil level is at or below the "L" mark, add oil into the oil filler to raise the level to the "H" mark. Do not overfill.

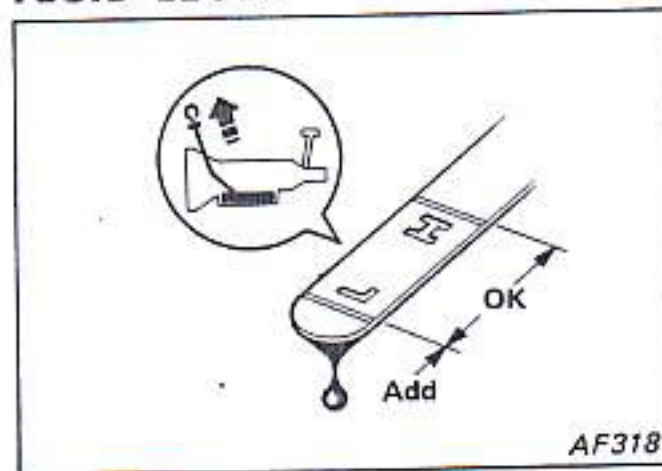
## CHANGING ENGINE OIL AND OIL FILTER



The engine oil and oil filter should be replaced periodically.

- Be careful not to burn yourself, as the engine oil may be hot.
- Screw in the oil filter until a slight resistance is felt, then tighten an additional 2/3 turn.
- After adding oil and installing the cap securely, run the engine until it reaches operating temperature. Then turn it off and wait several minutes. Check the oil level. If necessary, add engine oil.

## AUTOMATIC TRANSMISSION FLUID LEVEL

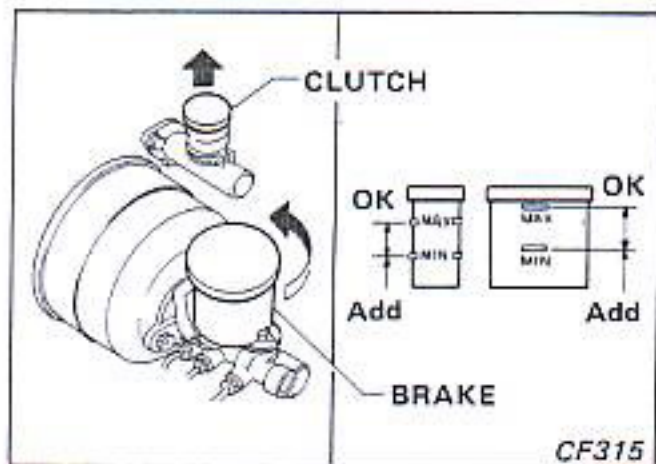


Drive the vehicle several kilometers (miles) to bring the transmission up to normal operating temperature. [50°C (122°F)]

1. Park the vehicle on a level surface and set the parking brake.
2. With the engine idling and the transmission selector lever at "P", check the fluid level.
3. Remove the dipstick and wipe it clean with lint-free paper.
4. Reinsert the dipstick into the charging pipe.
5. Remove the dipstick and note the reading.

If the fluid level is at or below the "L" mark, add fluid to the charging pipe to raise the level to the "H" mark. **Do not overfill.**

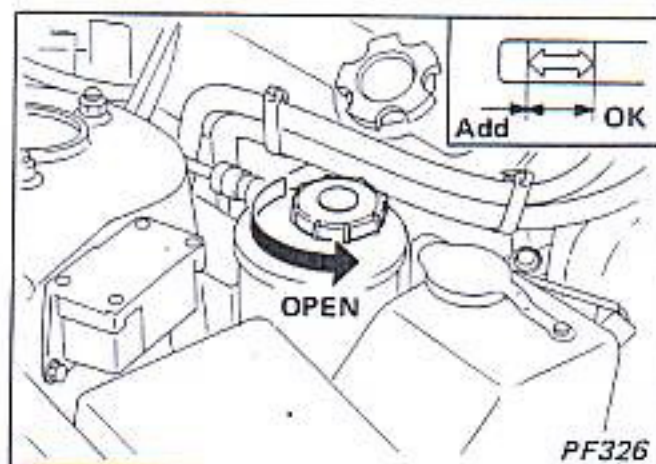
## BRAKE AND CLUTCH FLUID LEVEL



Check the fluid level in the reservoir. It should be between the **Max.** and **Min.** lines on the reservoir. If it is below the **Min.** line or the brake warning light comes on (models equipped with brake warning light), add the recommended brake fluid raising it up to the **Max.** line.

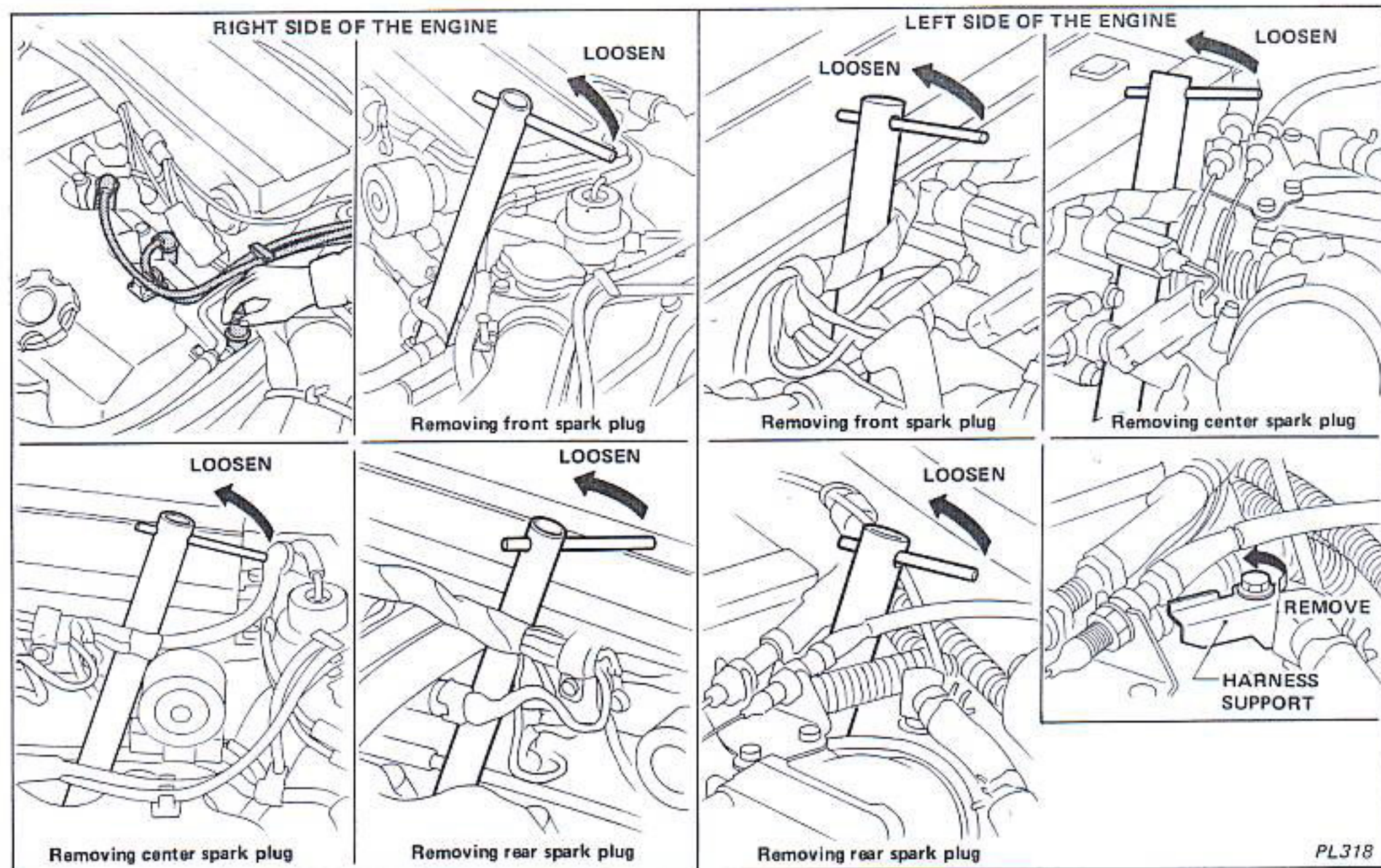
- Use only new brake fluid. Use of an old, used or inferior brake fluid may endanger the functioning of the brake and clutch systems.
- If frequent top-up is required, have the system checked at your NISSAN/DATSUN dealer without delay.

## ZF POWER STEERING FLUID LEVEL



Check the fluid level in reservoir by observing the dipstick when the fluid is cold. Add fluid as necessary to bring the level into proper range on dipstick.

# REPLACING SPARK PLUG



#### CAUTION:

- When disconnecting, always hold the boots — not the wires. Mark all wires to identify their original locations.
- Before installing new spark plugs, verify that the type number on the new part is the same as the original one.

#### Spark plug tightening torque

20 - 29 N·m

(2.0 - 3.0 kg·m, 14 - 22 ft·lb)

### CHECKING BATTERY FLUID LEVEL AND CONDITION

- Keep the battery surface clean and dry.
- Make certain the terminal connections are clean and securely tightened. Any corrosion should be washed off with a solution of baking soda and water.
- If the vehicle is not going to be used for 30 days or longer, disconnect the cable from the “-” negative terminal of the battery to prevent discharge.

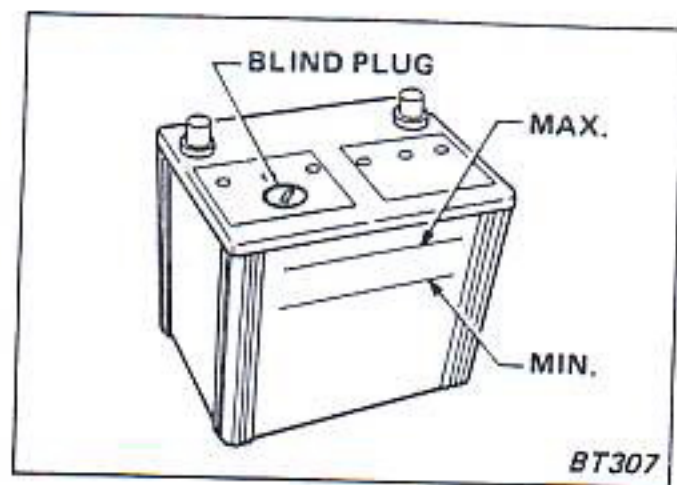
#### WARNING:

Do not expose the battery to flames or electrical sparks. Hydrogen gas generated by battery action is explosive. Do not allow battery fluid to come in contact with skin, eyes, fabrics, or painted surfaces. After touching a battery or battery cap, do not touch or rub your eyes until you have thoroughly washed your hands. If the acid contacts the eyes, skin or clothing, immediately flush with water for 15 minutes and seek medical attention.

#### JUMP STARTING

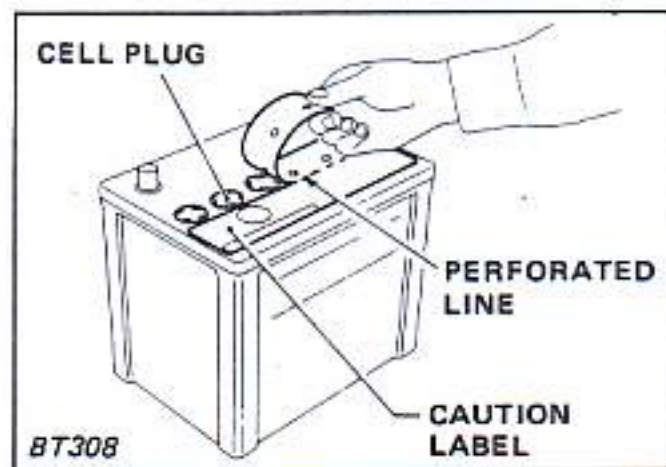
If jump starting is necessary, follow the procedure and precautions under the heading “Jump Starting with Booster Battery”. If the engine still does not start, the battery may have reached the end of its useful life. Contact an authorized NISSAN/DATSUN dealer or other competent service facility.

6-7



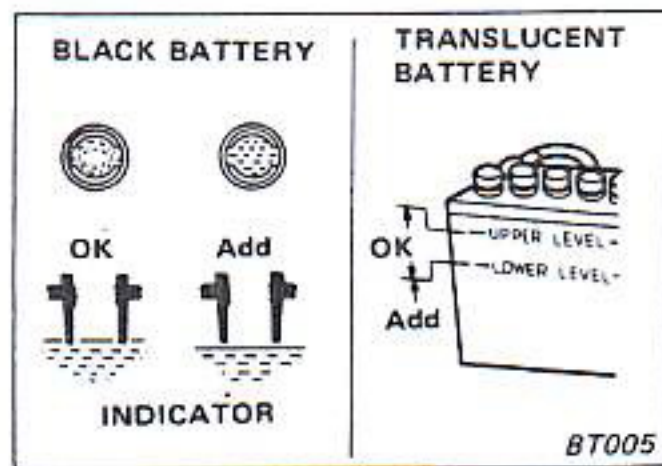
#### MAINTENANCE-FREE BATTERY

Normally the battery does not require additional water. However, adding distilled water may be necessary during the battery life. Check the fluid level in each cell. It should be between the MAX. and MIN. lines. The specific gravity of the electrolyte can be checked by removing the blind plug located on the upper surface of the battery.



If it is necessary to add fluid, add only distilled water to bring the level to the indicator in each filler opening. **Do not overfill.**

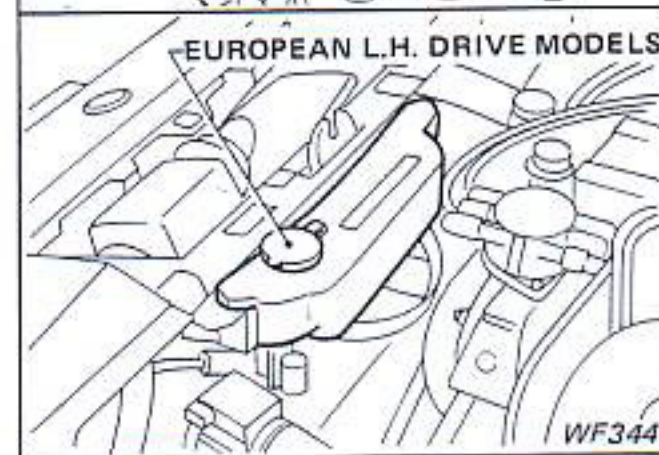
1. Peel off the label at the perforated line.
2. Remove the cell plugs using a suitable tool.
3. Add distilled water up to the MAX. level.
4. Tighten cell plugs and reattach the label to its original position.



#### CONVENTIONAL BATTERY

Check the fluid level in each cell. If it is necessary to add fluid, add only distilled water to bring the level to the indicator in each filler opening. **Do not overfill.**

#### WINDSHIELD/REAR WINDOW/ HEADLIGHT WASHER FLUID LEVEL



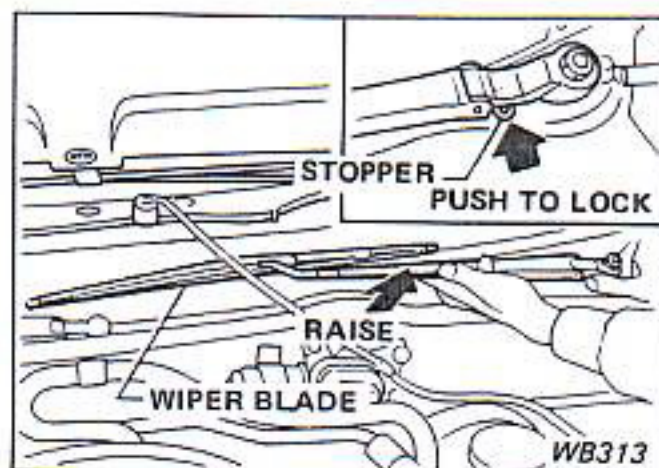


Check fluid level in the reservoir and add fluid if necessary.

Add a windshield washer solvent to the water as water alone is usually not adequate for cleaning the windshield. In winter season, add a windshield washer anti-freeze and follow the manufacturer's instructions for the correct amount to be used.

**Do not substitute radiator anti-freeze for washer solution. This may result in damage to the paint work.**

## WIPER ARM LOCK



The wiper arm lock is used to keep the wiper arm off the glass surface when washing the glass or replacing the blade.

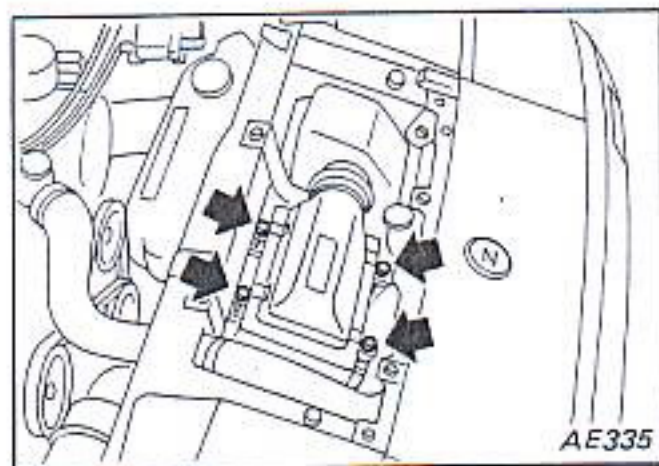
**When driving, be sure to unlock the wiper arm and keep it in contact with the glass. Otherwise, the arm may be damaged due to wind pressure.**

## CHECKING DRIVE BELTS

Be sure ignition is turned off and the transmission is in neutral. Engage parking brake securely.

1. Visually inspect each belt for signs of unusual wear, cuts, fraying or looseness. If it is considered that a belt is in poor condition or loose, have it replaced or adjusted by your NISSAN/DATSUN dealer or other competent service facility.
2. Have the belts checked regularly for condition and tension in accordance with the maintenance schedule in this manual.

## AIR CLEANER FILTER



### VISCOUS PAPER TYPE

The filter is specially treated. It should not be cleaned and reused, but should be replaced when necessary. When replacing the filter, wipe the inside of air cleaner housing and the cover with a damp cloth.

### DRY PAPER TYPE

Check the filter element to see whether it is dirty. If it is dirty, shake the element to remove dust. If necessary, replace it with a new filter. When checking the filter, wipe the inside of the air cleaner housing and the cover with a damp cloth.

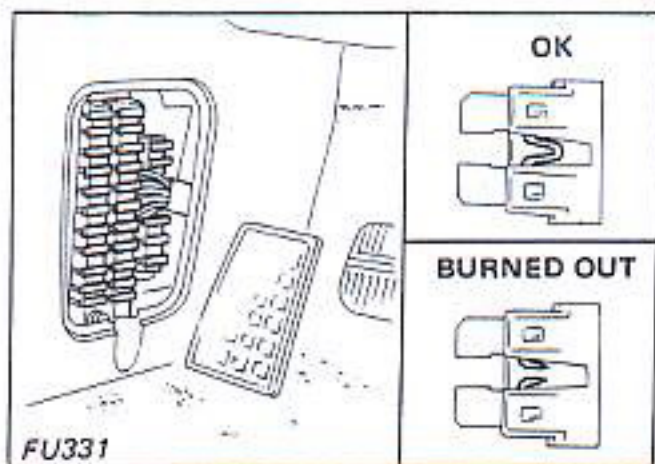
## PARKING BRAKE CONDITION BRAKE PEDAL CONDITION

Periodically check the holding ability of the parking brake by parking on a steep hill and restraining the vehicle by using only the parking brake. If it does not hold satisfactorily, have the parking brake checked by your NISSAN/DATSUN dealer or other competent service facility.

If the brake pedal suddenly goes down further than normal, the pedal feels "spongy" or the vehicle seems to take longer to stop, have the brakes checked by your NISSAN/DATSUN dealer or other competent service facility.



## FUSES



Should an electrical failure occur, first check for a burned-out fuse.

1. Remove the fuse and check it. If it is burned out, replace it.

- Before replacing any fuse, be sure to check the fuse specifications listed on the fuse box cover.
- Never use a fuse of higher amperage rating than that specified.

2. Should a replacement fuse burn out again, it is probable that there is a problem in the electrical system. Have it checked and repaired by your NISSAN/DATSUN dealer or other competent service facility.

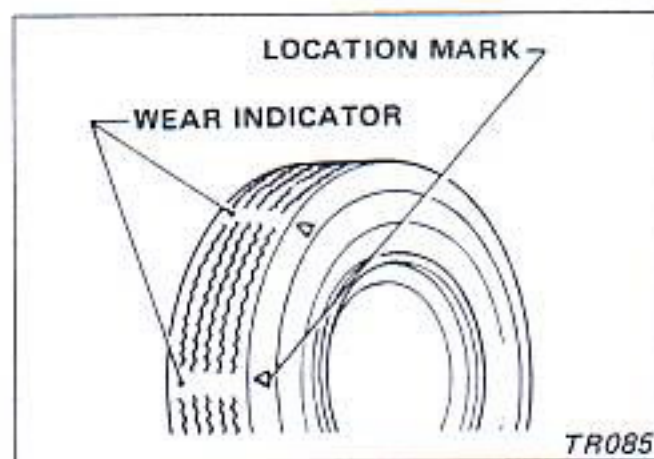
L.H. drive models

HEADLAMP RH	10A	BATTERY	IGNITION	15A	ENG CONTROL			
HEADLAMP LH	10A			10A	FUEL PUMP			
HEADLAMP MOTOR RH	15A			10A	METER			
HEADLAMP MOTOR LH	15A			10A	TURN SIGNAL			
TAIL LAMP RH ILLUMI	10A	LIGHT	IGNITION	10A	A/T CONTROL			
TAIL LAMP LH RR FOG LAMP	10A			20A	FAN MOTOR	10A	ANTI SKID	
ROOM LAMP	10A	BATTERY	ACCESSORY	15A	PASS LAMP	IGNITION	15A	DIF OIL COOLER FAN MOTOR
HAZARD	10A			10A	AUDIO		20A	RR DEFOGGER
AUTO DOOR LOCK HORN	10A			10A	RR WIPER			
STOP LAMP	15A			15A	FR WIPER			
AIRCON BLOWER	15A	ACCESSORY	15A	CIG LIGHTER				
	15A		10A	AIRCON CONTROL				

R.H. drive models

			ENG CONTROL	15A	IGNITION	LIGHT	10A	HEADLAMP LAMP RH
			FUEL PUMP	10A			10A	HEADLAMP LH
			METER	10A			15A	HEADLAMP MOTOR RH
			TURN SIGNAL	10A			15A	HEADLAMP MOTOR LH
DIF OIL COOLER FAN MOTOR	15A	IGNITION	A/T CONTROL	10A	BATTERY	15A	CLEARANCE ILLUMI	
ANTI SKID	10A		RR DEFOGGER	20A		10A	ROOM LAMP	
			AUTO DOOR LOCK	10A		10A	RR FOG LAMP	
			AUDIO	10A		10A	HAZARD	
			RR WIPER	10A		10A	HORN	
			FR WIPER	15A		15A	STOP LAMP	
			CIG LIGHTER	15A		15A	AIRCON BLOWER	
			AIRCON CONTROL	10A		15A		
					ACCESSORY			

## WHEEL AND TIRE



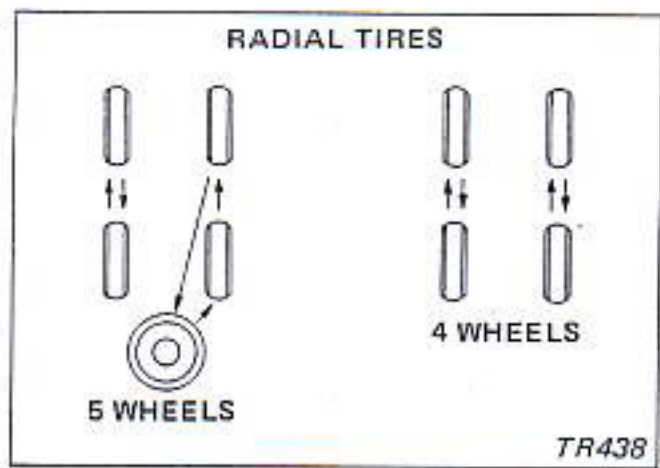
Tires should be replaced when the tread wear indicators are visible and/or if the tire is damaged.

- When replacing tires, use tires of an uniform size, load capacity and tread patterns to ensure safe driving.
- Bias, bias belted and radial-ply tires must not be mixed.

### TIRE INFLATION PRESSURES

Tire pressure should be regularly checked when the tires are **COLD**. Also be sure to check the spare tire. **Proper tire pressures are shown on the tire placard affixed to the inside of the center console box lid.**

## BULB REPLACEMENT



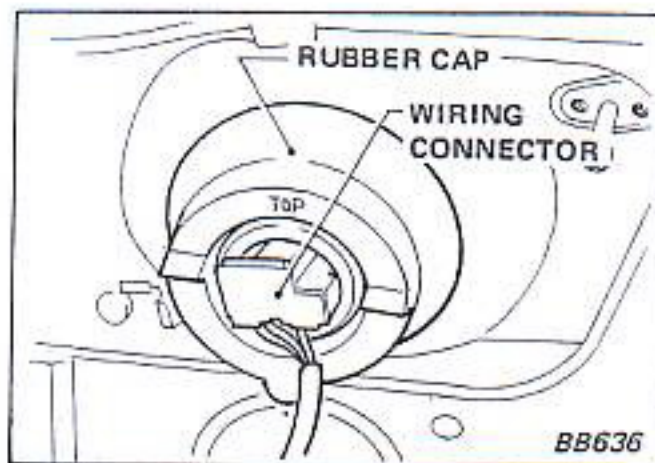
## TIRE ROTATION

Periodic rotation of tires will result in longer tire life. Tires should be rotated as demonstrated by the illustrated rotation system. For the locations of jack-up points, refer to the "Flat Tire" section under the heading "In Case of Emergency".

If your vehicle has the Space Saver Spare tire or Foldable Spare tire as a spare tire, do not include it when rotating the tires. On turbocharger models for Europe, tire rotation cannot be done as the sizes of the front and rear tires differ.

## WHEEL

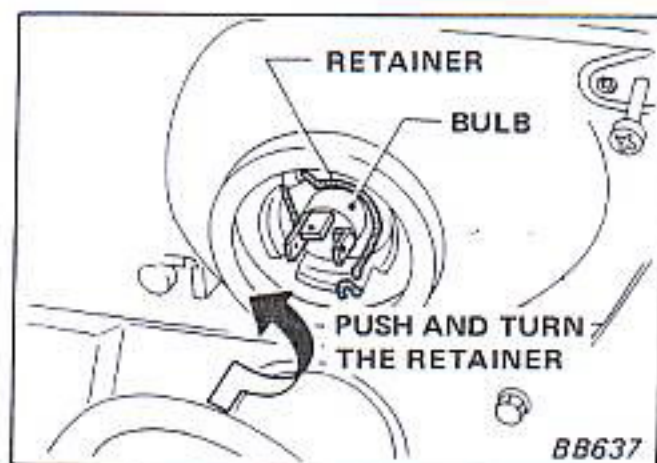
When replacing wheels for any reason, use the specified ones.

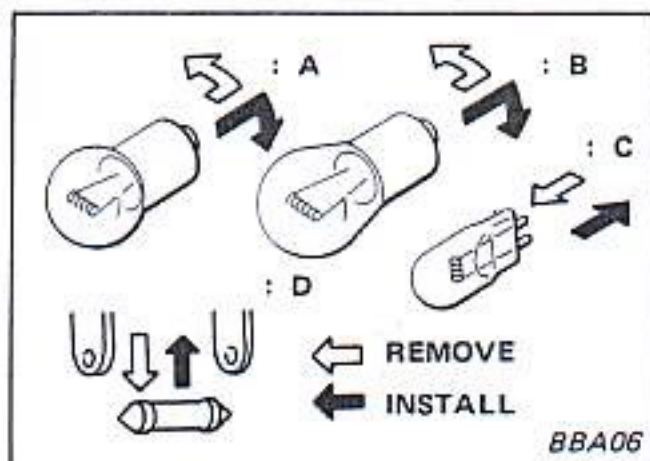


## HEADLIGHT

1. Disconnect the battery ground cable.
2. Disconnect the wiring connector from the rear end of the bulb.
3. Remove the rubber cap.
4. Remove the retainer. The headlight bulb can then be removed.
5. The new bulb should be installed in the reverse order of removal.

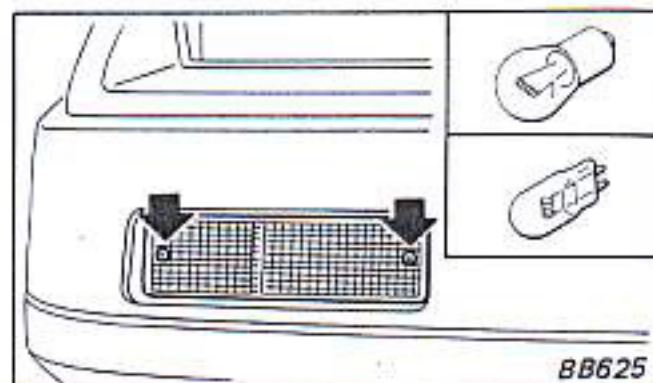
- Do not touch the glass surface of the halogen bulb with bare hands or dirty gloves, etc.
- In installing the rubber cap, be sure that the word "TOP", in raised letters, which appears on it is on the upper side.
- When aiming adjustment is required, see your NISSAN/DATSUN dealer or other competent service facilities.



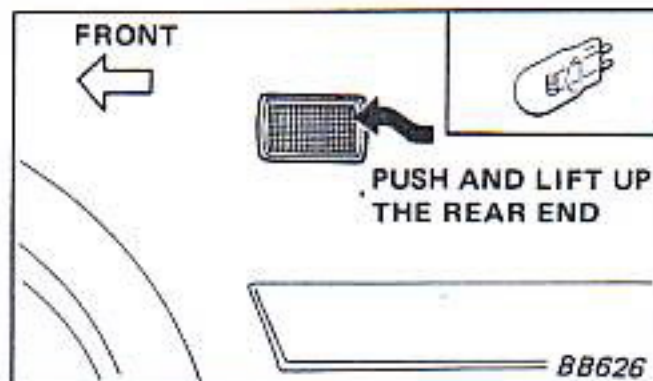


## OTHER LIGHTS

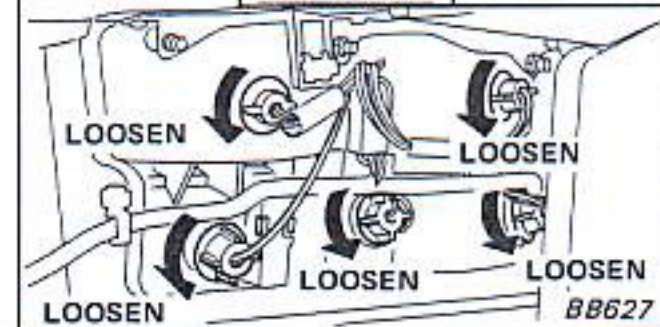
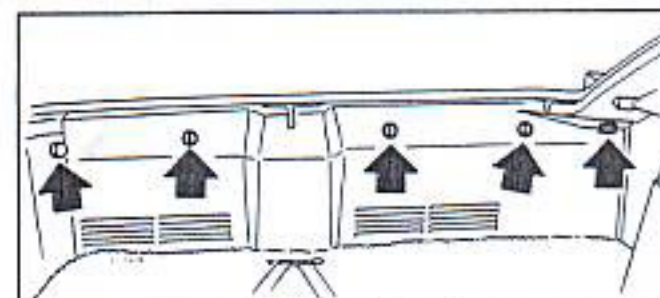
All other lights are of either type A, B, C or D. When replacing a bulb, first remove the lens and/or cover and then proceed as shown in the illustration.



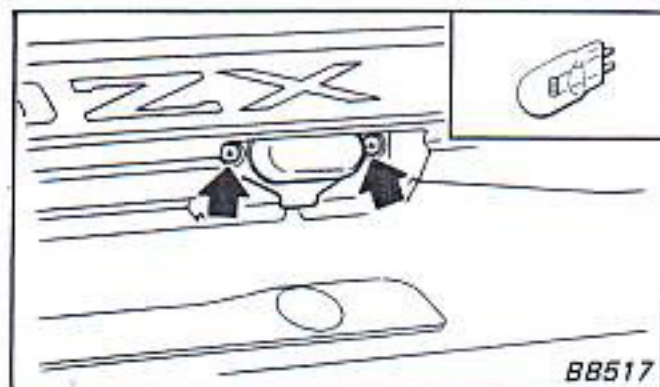
Front combination light



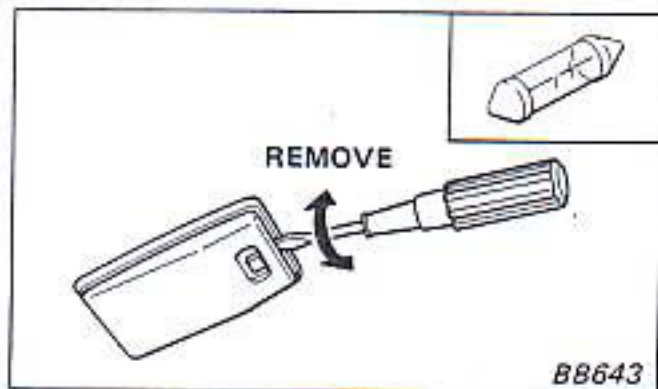
Side turn signal light



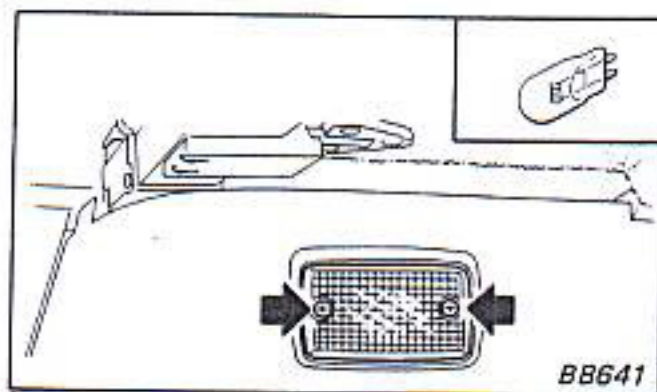
Rear combination light



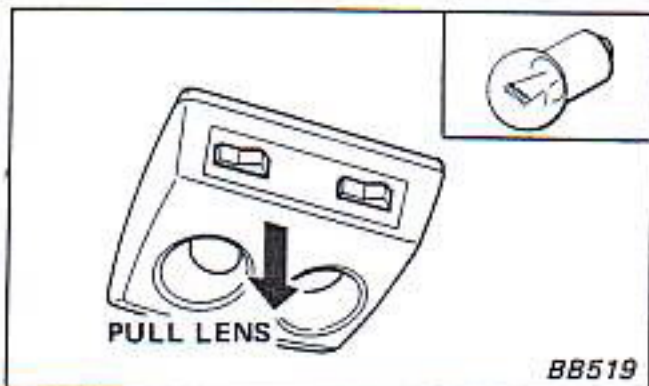
License plate light



Interior light



Luggage compartment light



Spot light



Door step light

## VEHICLE CARE AND MAINTENANCE

### CLEANING EXTERIOR AND INTERIOR



#### Washing

Wash dirt off with a wet sponge and plenty of water. Clean the vehicle thoroughly using a mild soap or detergent (a special vehicle soap or general purpose dish-washing liquid) mixed with clean, lukewarm (never hot) water. Rinse the vehicle thoroughly with plenty of clean water.

Inside flanges, seams and folds on the doors, hatches and hood are particularly endangered by the effects of road salt. Therefore, these areas must be regularly cleaned. Take care that the drain holes in the lower edge of the door are open. Spray water under the body and in the wheel wells to loosen

the dirt and wash away road salt. A damp chamois can be used to dry the vehicle to avoid water spots.

#### Waxing

Regular waxing protects the paintwork and keeps the finish. After waxing, polishing is recommended to remove built-up residual and avoid a "Weathered" appearance.

Only apply black wax or black shoe polish to the black urethane or polypropylene bumper.

#### Removing spots

Remove tar and oil spots, industrial dust, insects and tree sap as quickly as possible from the surface of the paint to avoid lasting damage or staining. Special cleaning products are available at your NISSAN/DATSUN dealer or any automotive accessories store.

#### Underbody

In areas where road salt is used in winter, it is necessary to clean the underbody regularly in order to prevent dirt and salt from building up and causing corrosion on the underbody and suspension. Before the winter period and again in the spring, the underseal must be checked and, if necessary, re-treated.

#### Cleaning glass

Use glass cleaner to remove smoke and dust film from the glass surfaces. It is normal for glass to be coated with a film after the vehicle is parked in the hot sun. Glass cleaner and soft clothes easily remove this film.

When cleaning the inside of the rear window, do not use any sharp-edged tools or abrasive cleaners. These may damage the electrical conductors or rear window defogger elements.

#### Cleaning alloy wheels

Wash regularly, especially during winter months in areas where road salt is used. Salt could discolor the wheel if not removed.

#### Chrome parts

Clean all chrome parts regularly with a non-abrasive chrome polish to maintain the finish.

#### Plastic parts

Plastic parts can be cleaned with a mild soap solution. If the dirt cannot be easily removed, use a plastic cleaner. Do not use any solvents.

### **Cleaning Interior**

Occasionally remove loose dust from the interior trim and seats using a vacuum cleaner or soft brush. Wipe the vinyl and leather surfaces with a clean, soft cloth dampened in mild soap solution, then wipe clean with a dry soft cloth. Before using any fabric protector, read the manufacturer's recommendations. Some fabric protectors contains chemicals that stain or bleach the seat material.

- **Never use benzine, thinner or any similar material.**
- The leather seats should be regularly coated with a leather wax like saddle soap. **Never use car wax.**
- Never use fabric protectors unless recommended by the manufacturer.

### **Seat belts**

The seat belts can be cleaned by wiping them with a sponge dampened in a mild soap solution. Allow the belts to dry completely before using them. Do not allow wet belts to roll up in the retractor. **NEVER** use bleach, dye or chemical solvents since these may severely weaken the seat belt webbing.

## **PROTECTING AGAINST CORROSION**

### **Most common factors contributing to vehicle corrosion:**

1. The accumulation of moisture-retaining dirt and debris in body panel sections, cavities, and other areas.
2. Damage to paint and other protective coatings caused by gravel and stone chips or minor traffic accidents.

### **Environmental factors influence the rate of corrosion:**

#### **Moisture**

The accumulation of sand, dirt and water on the underside of the body will accelerate corrosion. Floor sections which have snow and ice trapped under the floor matting will not dry.

#### **Relative humidity**

Corrosion will be accelerated in areas of high relative humidity, especially those areas where the temperatures stay above freezing and where atmospheric pollution exists and road salt is used.

#### **Temperature**

A temperature increase will accelerate the rate of corrosion to those parts which are not well ventilated.

#### **Air pollution**

Industrial pollution, the presence of salt in the air in coastal areas, or heavy road salt use will accelerate the corrosion process. Road salt will also accelerate the disintegration of paint surfaces.

### **To protect your vehicle from corrosion:**

- Wash and wax your vehicle often to keep the vehicle clean.
- Always check for minor damage to the paint and repair it as soon as possible.
- Keep drain holes at the bottom of the doors and tailgate open to avoid water accumulation.
- Check the underbody and floor. If any sand, dirt or salt is accumulated, wash it off with water as soon as possible.



# Specifications

## DIMENSIONS

Item	Model	mm (in)	
		2 seater	2+2 seater
Overall length		4,335 (170.7)	4,535 (178.5) 4,540 (178.7)*1
Overall width		1,725 (67.9)	1,725 (67.9)
		1,690 (66.5)*2	
Overall height		1,295 (51.0)	1,310 (51.6)
Ground clearance		150 (5.9)	←
Front tread		1,415 (55.7)	←
Rear tread		1,435 (56.5)	←
Wheelbase		2,320 (91.3)	2,520 (99.2)
Turning circle [wall to wall]	m (ft)	10.6 (34.8)	11.4 (37.4)

\*1: For Europe

\*2: Models without body guard moulding

## WEIGHTS

### Curb weight

	Model	kg (lb)		
		Europe	Saudi Arabia	Except Europe and Saudi Arabia
2 seater	VG30ET	—	1,395 (3,075)	1,335 (2,945)
	VG30E	1,385 (3,055)	1,420 (3,130)	1,360 (3,000)
2+2 seater	VG30ET	1,425 (3,140)	1,435 (3,165)	1,375 (3,030)

Values are the maximum weight in each model variation.



## ENGINE

Model	VG30E	VG30ET
Type	OHC	←
Cylinder arrangement	6-cylinder, V-slanted at 60°	←
Bore x Stroke	mm (in) 87.0 x 83.0 (3.425 x 3.268)	←
Displacement	cm <sup>3</sup> (cu in) 2,960 (180.62)	←
Compression ratio	9.0	7.8
Firing order	1-2-3-4-5-6*	←
Idling speed	rpm	
M/T	800, 900*1	900
A/T in "N" position	800, 900*1	-
Ignition timing (BTDC)	degree at idle	
M/T	20°, 10°*1	10°
A/T in "N" position	20°, 10°*1	-
Spark plugs	BCP6ES-11, BCPR6ES-11*2	BCP6E-11, BCPR6E-11*2
Spark plug gap	mm (in) 1.0 to 1.1 (0.039 to 0.043)	←
Alternator belt size	mm (in) 14.0 x 945	14.24 x 1.028
Width x Length	(0.551 x 37.20)	(0.5610 x 40.47)

\*1: For Europe except Switzerland and Sweden

\*2: For Europe

## WHEEL AND TIRE

Road wheel size	Aluminum	6-1/2-JJ-15, 7-JJ-16*1, 390x150TD*2 5-1/2-JJ-14*5
Tire	Front	215/60VR15, <i>→ Mr. Flür</i> 205/55VR16*, 210/60R390*2
	Rear	215/60VR15, 225/50VR16*1, 210/60R390*2
	Spare	T135/70 D16*3 165-15*4 C78-14*4
Wheel nut tightening torque	Aluminum	98 to 118 (10 to 12, 72 to 87) N·m (kg·m, ft·lb)

\*1: Turbo model for Europe

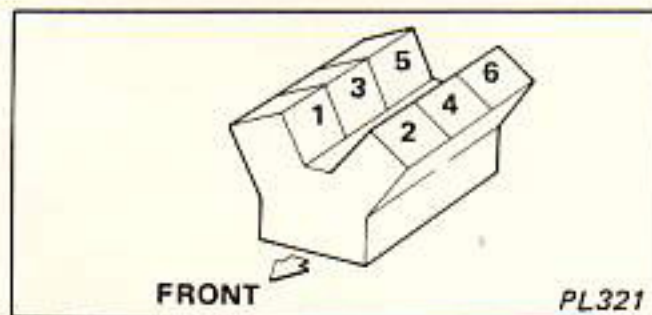
\*2: Non-turbo model for United Kingdom (TD RUNFLAT tire)

\*3: T-type spare tire (Option)

\*4: Foldable spare tire (Option)

\*5: For England

## \*CYLINDER NUMBERING



## BULB

	Wattage (12 volt)
Headlight (Semi-sealed beam)	
High/Low	60/55
Front combination light	
Turn	21
Clearance	5
Side turn signal light	5
Rear combination light	
Turn signal	21
Stop/Tail	21/5
Stop*	21*
Tail*	5*
Back-up	21
Rear fog	21
License plate light	5
Spot light	8
Interior light	10
Door step light	5
Luggage compartment light	3.4

\*: For Europe

## CAPACITIES

	Liter	Imp measure
Fuel tank	72, 77*1	15-7/8 gal, 17 gal*1
Coolant	11.0	9-5/8 qt
	10.5*2	9-1/4 qt*2
Engine (Refill capacity)*3		
With oil filter change	4.1	3-5/8 qt
Without oil filter change	3.7	3-1/4 qt
Transmission		
M/T	1.9	3-3/8 pt
	2.1*4	3-3/4 pt*4
A/T	7.0	6-1/8 qt
Differential carrier	1.3	2-1/4 pt
	1.8*5	3-1/8 pt*5
	2.1*1	3-3/4 pt*1
Power steering system	0.9	3/4 qt
Air conditioning system		
Refrigerant	1.0 kg	2.2 lb

\*1: For Europe

\*2: Non-turbo model except for Europe

\*3: On European models, add 0.7 liters (5/8 Imp qt) when the oil cooler and hose are repaired or replaced.

\*4: Turbo models equipped with air conditioner and transmission cooler for Europe.

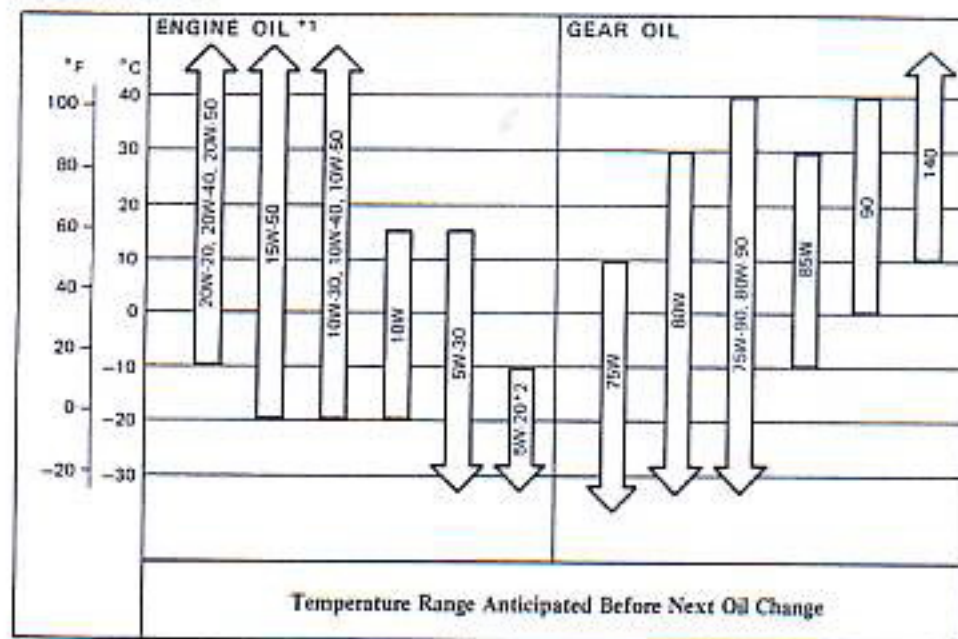
\*5: For Middle East

## RECOMMENDED LUBRICANT

Lubricant	Specifications	Remarks
Gasoline engine oil		
Non-turbo model	API SE or SF	
Turbo model	API SE*	
Gear oil		For further details, refer to the recommended SAE viscosity chart.
Transmission except for Turbo model	API GL-4	
Differential	API GL-5	
Transmission for Turbo model	API GL-4 (SAE 80W-90) or Type DEXRON	—
Automatic T/M and power steering fluid	Type DEXRON	—
Multi-purpose grease	NLGI No. 2	Lithium soap base
Brake and clutch fluid	DOT 3	US FMVSS No. 116
Anti-freeze	—	Ethylene glycol base

\*: API SF/CC and SF/CD are also recommended.

## RECOMMENDED SAE VISCOSITY NUMBER



- \*1: On models equipped with a turbocharger, use 10W-30, 10W-40, 10W-50, 15W-50, 20W-20, 20W-40 or 20W-50 except under extremely cold conditions. Use 5W-30 only under extremely cold conditions.
- \*2: Not recommended for sustained high speed driving

 **Index****A**

Adjustable shock absorber switch . . .	2-26
Air cleaner filter . . . . .	6-10
Air conditioner . . . . .	2-15
Ash trays . . . . .	2-23
Automatic transmission fluid level . . .	6-4

**B**

Baggage strap . . . . .	2-25
Before driving your NISSAN . . . . .	1-1
Brake fluid level . . . . .	6-5
Brake pedal condition . . . . .	6-10
Break-in . . . . .	1-1
Bulb . . . . .	7-3
Bulb replacement . . . . .	6-13

**C**

Capacities . . . . .	7-3
Changing engine oil and oil filter . . . .	6-4
Changing gear . . . . .	3-2
Checking battery fluid level and condition . . . . .	6-7
Checking drive belts . . . . .	6-9
Cigarette lighter . . . . .	2-23
Clock . . . . .	2-22
Clutch fluid level . . . . .	6-5
Controls . . . . .	2-1
Cruise control . . . . .	3-5

**D**

Dimensions . . . . .	7-1
Dimmer switch lever . . . . .	2-4
Do-it-yourself . . . . .	6-1
Driving . . . . .	3-1

**E/F**

Engine . . . . .	7-2
Engine coolant . . . . .	6-2
Engine oil level . . . . .	6-3
Flat tire . . . . .	4-2
Fuel filler lid opener . . . . .	2-29
Fuel recommendation . . . . .	9-1
Fuses . . . . .	6-11

**H**

Hazard warning flasher switch . . . . .	2-7
Headlight cleaner switch . . . . .	2-7
Headlight switch lever . . . . .	2-4
Headlight washer fluid level . . . . .	6-8
Heater . . . . .	2-13
Hood release . . . . .	9-1
Horn . . . . .	2-8
Hood . . . . .	6-1

<b>I</b>	
Ignition switch . . . . .	2-3
Illumination control rheostat . . . . .	2-5
In case of emergency . . . . .	4-1
Instruments . . . . .	2-1, 2-9
Interior light . . . . .	2-24

## **J/K/L/M**

Jump starting with booster battery . . . . .	4-6
Key . . . . .	1-2
Locks . . . . .	1-2
Maintenance schedule . . . . .	5-1

## **O/P**

Overheats . . . . .	4-5
Parking . . . . .	3-7
Parking brake . . . . .	2-8, 6-10
Power antenna . . . . .	2-22
Power steering fluid level . . . . .	6-5
Power window . . . . .	2-25
Push starting . . . . .	4-6

## **R**

Radio . . . . .	2-17
Rear fog light switch . . . . .	2-6
Rear hatch opener . . . . .	2-29
Rear window defogger switch . . . . .	2-7
Rear window washer fluid level . . . . .	6-8
Rearview mirrors . . . . .	1-9
Recommended lubricants . . . . .	7-4
Recommended SAE viscosity number . . . . .	7-4
Replacing spark plug . . . . .	6-6
Retractable headlight switch . . . . .	2-3

## **S**

Safety checks . . . . .	1-1
Seat belts . . . . .	1-5
Seats . . . . .	1-4
Service station information . . . . .	9-1
Spare tire . . . . .	4-1
Specifications . . . . .	7-1
Spot light . . . . .	2-24
Starting . . . . .	3-1
Starting the engine . . . . .	3-1
Sun visor . . . . .	2-24

## **T**

T-bar roof . . . . .	2-26
Tilting steering wheel . . . . .	1-8
Tips on driving . . . . .	3-7
Tire . . . . .	6-12, 7-2
Tonneau cover . . . . .	2-25
Tools . . . . .	4-1
Towing . . . . .	4-7
Turn signal switch lever . . . . .	2-4

## **V**

Vanity mirror . . . . .	2-24
Vehicle care and maintenance . . . . .	6-16
Vehicle identification . . . . .	1-9
Ventilators . . . . .	2-12

## **W**

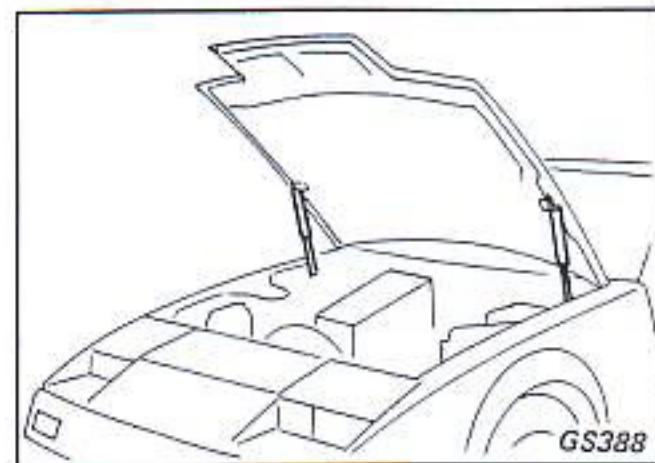
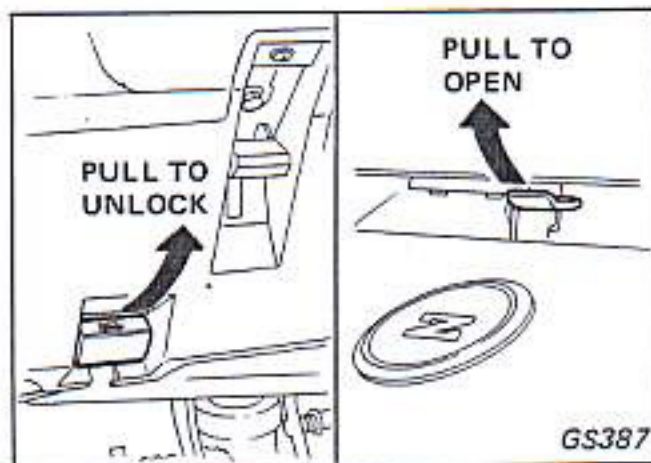
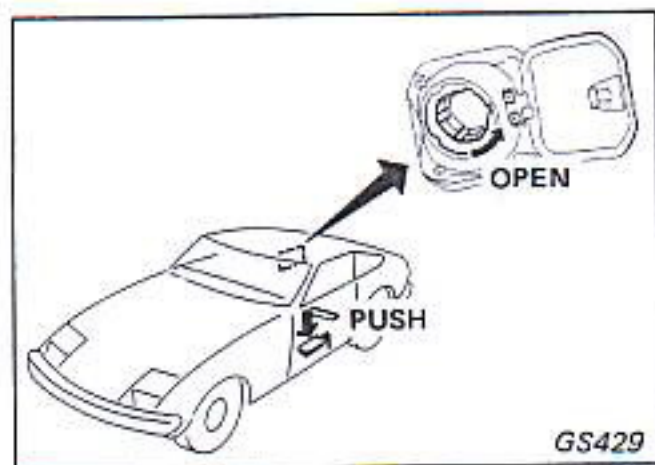
Washer switch . . . . .	2-6
Weights . . . . .	7-1
Wheel . . . . .	6-12, 7-2
Windshield washer fluid level . . . . .	6-8
Wiper arm lock . . . . .	6-9
Wiper switch . . . . .	2-6



# Service Station Information

## FUEL RECOMMENDATION

## HOOD RELEASE



Recommended gasoline:

For Switzerland and Sweden

Recommended gasoline: above 90 octane (RON)

For Europe, Hong Kong, Singapore and Saudi Arabia except the above countries

Recommended gasoline: above 97 octane (RON)

Except the above areas

Recommended gasoline:

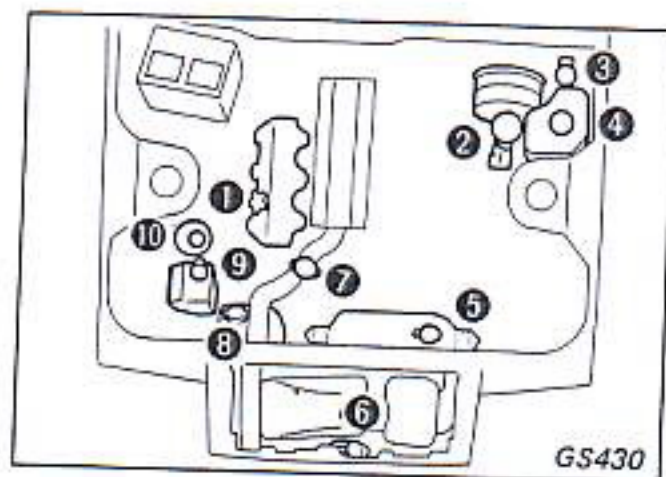
Non-turbo model ... above 88 octane (RON)

Turbo model ... above 97 octane (RON)

Open the hood as shown in the illustration.

When refueling, also check the following.  
For the inspection procedures, refer to the  
"Do-It-Yourself" section, and for service  
data, refer to the "Specifications" section.

- ① Engine oil
- ② Brake fluid
- ③ Clutch fluid
- ④ Windshield washer fluid  
(Except Europe)
- ⑤ Windshield washer fluid (For Europe)
- ⑥ Headlight washer fluid (For Europe)
- ⑦ Engine coolant
- ⑧ Engine coolant (For Europe)
- ⑨ Engine coolant (Except for Europe)
- ⑩ Power steering fluid
- Tire inflation pressure.  
see the tire placard affixed to the inside  
of the center console box lid.



Z31-A



NISSAN MOTOR CO., LTD.

Tokyo, Japan

Printed in Japan

Printing: July 1985 (05)  
Publication No. OM6E-0Z31G0